

# PARTS LIST

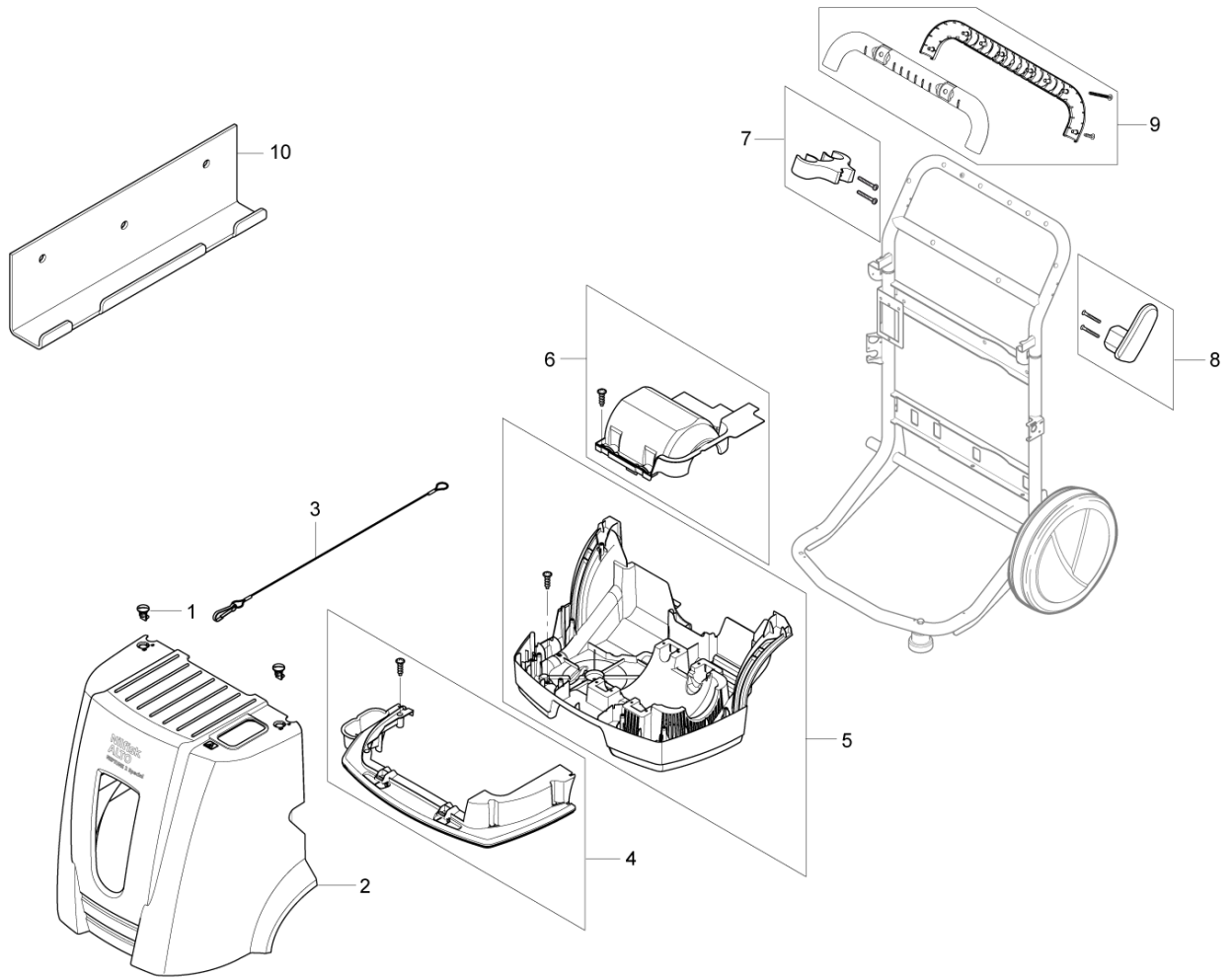


2020.05.08

# TABLE OF CONTENTS

---

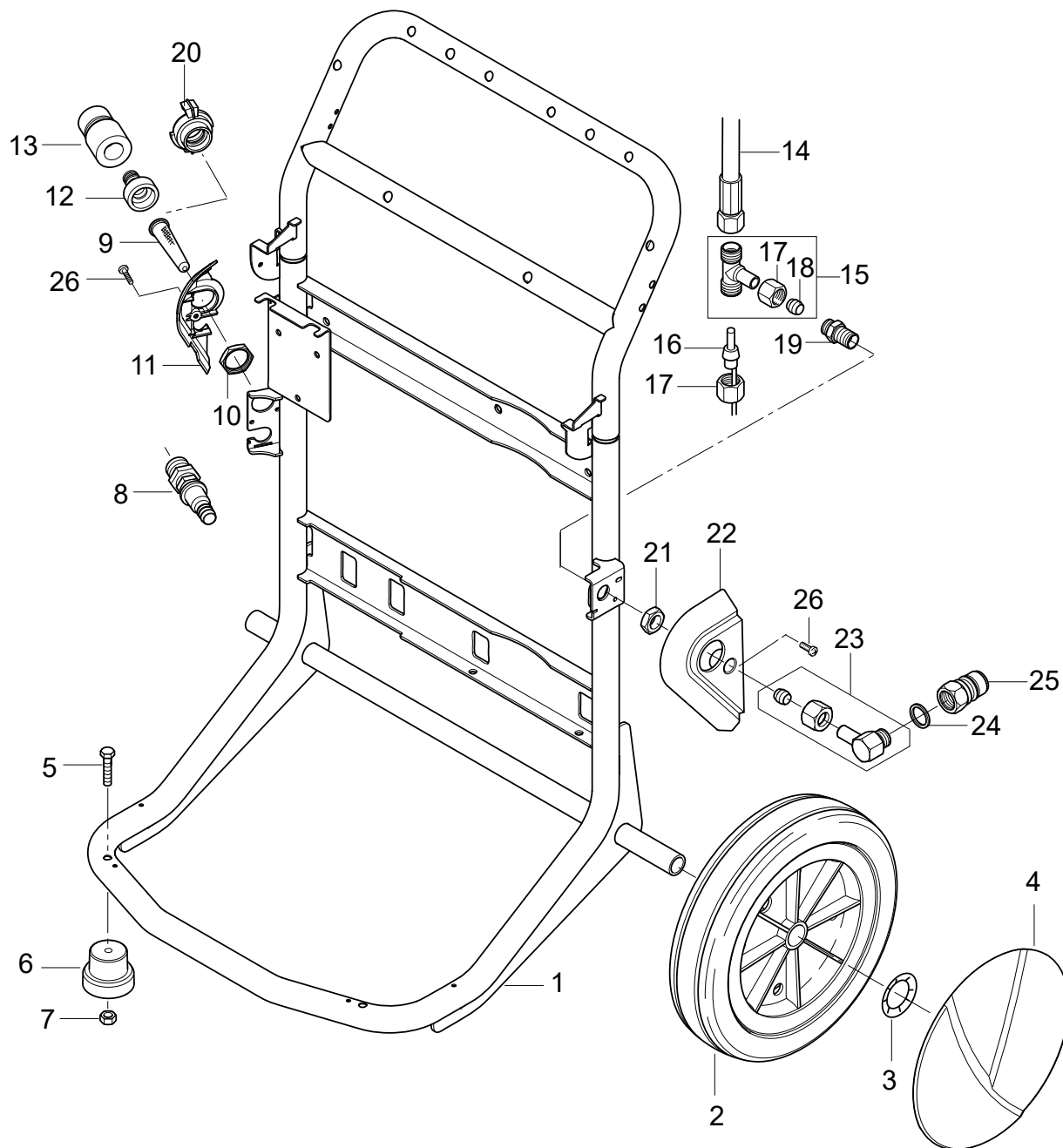
|  |    |
|--|----|
| Cabinet.....                           | 1  |
| Frame .....                            | 3  |
| Fuel tank and detergent tank.....      | 5  |
| Water tank.....                        | 7  |
| Motor.....                             | 9  |
| Pump.....                              | 11 |
| Electric box.....                      | 13 |
| Distributor, Flow switch.....          | 15 |
| Fan.....                               | 17 |
| Boiler.....                            | 19 |
| Burner unit, ignition transformer..... | 21 |
| Hose reel.....                         | 23 |
| Burner unit.....                       | 25 |
| Default accessories.....               | 27 |
| Recommended spare parts.....           | 29 |



| Pos. | Numer Produktu | ilość | Opis                      | Notes |
|------|----------------|-------|---------------------------|-------|
| 00   | 107145200      | 1     | CARDBOARD BOX NEPTUNE 2   | [1]   |
| 01   | 301001261      | 2     | LOCKING BOLT D29X35       |       |
| 02   | 101118009      | 1     | MH 2M COVER - NILFISK     |       |
| 03   | 101117711      | 1     | WIRE FOR COVER            | [1]   |
| 04   | 101118000      | 1     | FRONT BUFFER TOP KIT      | [1]   |
| 05   | 101117999      | 1     | FRONT BUFFER BOTTOM KIT   | [1]   |
| 06   | 101117668      | 1     | MOTOR COVER               | [1]   |
| 07   | 101117666      | 1     | TOP LANCE HOLDER KIT      | [1]   |
| 08   | 101117682      | 1     | HOOK FOR HOSE COMP        | [1]   |
| 09   | 101117665      | 1     | HANDLE KIT                | [1]   |
| 10   | 107145347      | 1     | WALL MOUNTING BRACKET KIT | [2]   |

## Part Notes:

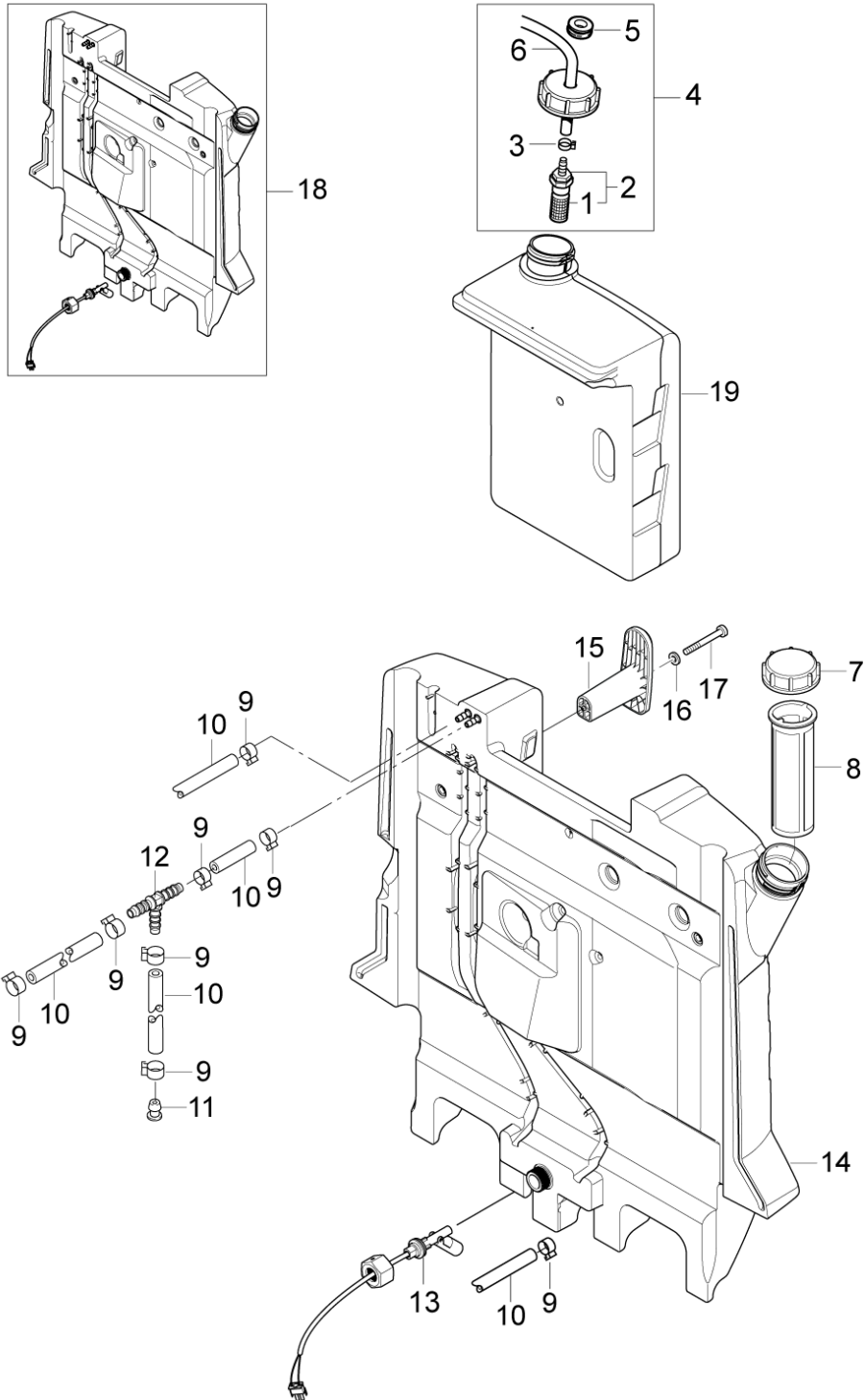
- [1] - STOCK COVERS GUARANTEE
- [2] - CONTACT PROD. MGMT.



| Pos. | Numer Produktu | ilość | Opis                                   | Notes |
|------|----------------|-------|--|-------|
| 1    | 101117742      | 1     | FRAME CPL. NEPTUNE2                    | [1]   |
| 2    | 6184074        | 2     | KÓŁKO D300                             |       |
| 3    | 46363          | 2     | CLAMPING RING D25                      |       |
| 4    | 301001077      | 2     | KOŁPAK                                 | [1]   |
| 5    | 101117745      | 2     | M8 X 45 ISO 7380 FZB603                | [2]   |
| 6    | 101117743      | 2     | SUSTAINER                              | [1]   |
| 7    | 61467          | 2     | HEXAGON NUT M8                         |       |
| 8    | 6100937        | 1     | FILTER HOUSING                         |       |
| 9    | 6100941        | 1     | FILTR                                  |       |
| 10   | 1800341        | 1     | LOCK NUT 3/4IN                         |       |
| 11   | 101117679      | 1     | COVER FOR INLET COMP                   | [1]   |
| 12   | 106404529      | 1     | GARDENA COMPATIBLE MALE 3/4" ACCESSORY |       |
| 13   | 1602945        | 1     | SZYBKOZŁĄCZE 3/4 Z USZCZELKĄ           |       |
| 14   | 101117740      | 1     | HP HOSE 295MM                          | [1]   |
| 15   | 101118093      | 1     | TROJNIK M18 X 1.5                      |       |
| 16   | 101117741      | 1     | TEMP SENSOR WITH CABLE                 |       |
| 17   | 1081           | 2     | NAKRĘTKA L12 DIN 3870-A ST/ZN          |       |
| 18   | 1080           | 1     | PIERŚCIEŃ L12 B DIN 3861 ST/ZN         |       |
| 19   | 101117744      | 1     | FITTING FOR OUTLET                     | [1]   |
| 20   | 1718           | 1     | ZŁĄCZE GEKA GWINT WEW. 3/4"            |       |
| 21   | 1803220        | 1     | HEXAGON NUT M18X1.5 ISO 8675 ZN        |       |
| 22   | 101117680      | 1     | COVER FOR OUTLET COMP                  | [1]   |
| 23   | 101117681      | 1     | ANGLE FITTING COMP                     | [1]   |
| 24   | 1801075        | 1     | PIERŚCIEŃ USZCZ. 23.8X17.2X2 3/8       |       |
| 25   | 1600493        | 1     | ZŁĄCZE MĘSKIE ERGO 3/8"                |       |
| 26   | 1803030        | 2     | SCREW CROSS M5 X 12 FZB DIN7985        |       |

## Part Notes:

- [1] - STOCK COVERS GUARANTEE  
 [2] - NO LONGER AVAILABLE

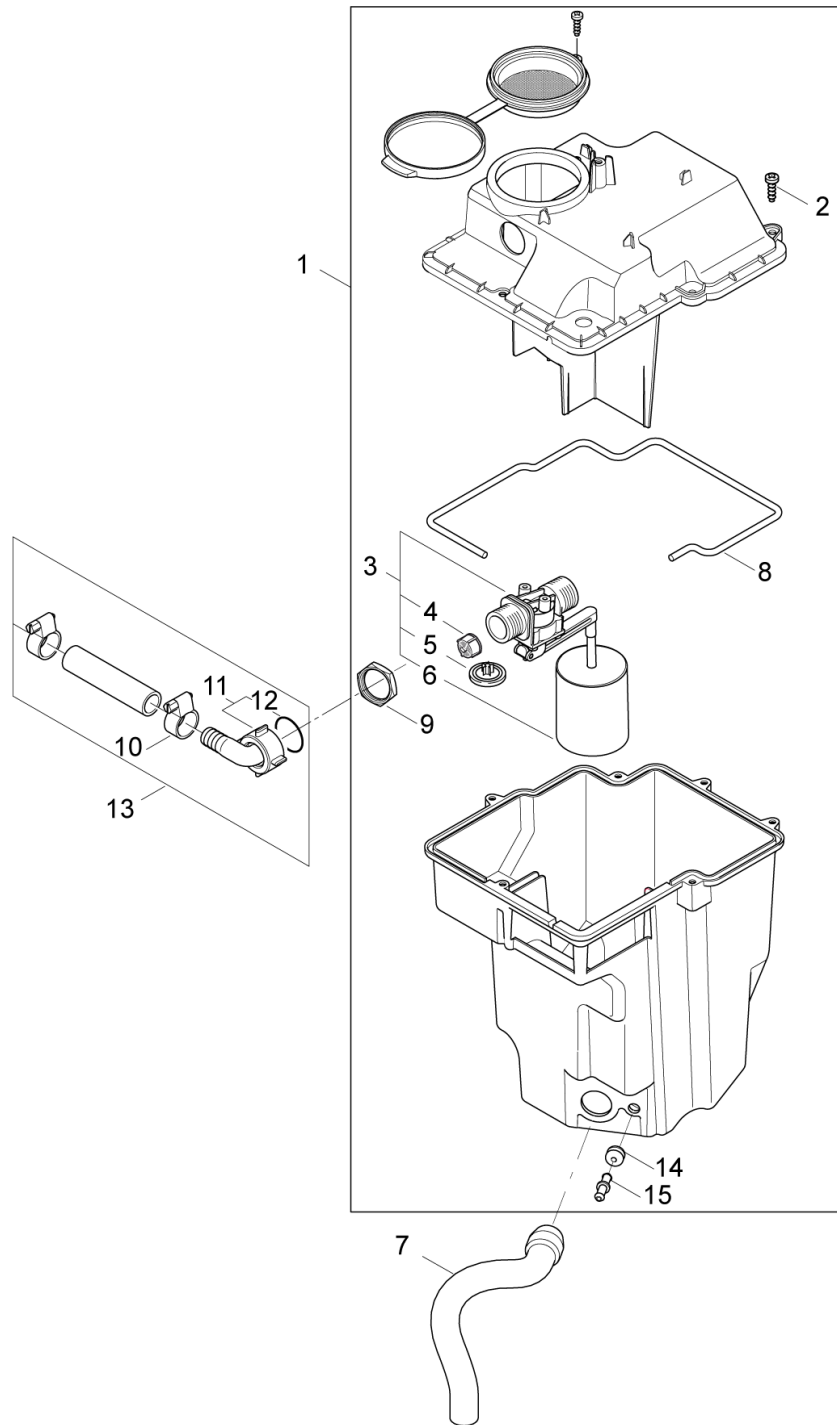


| Pos. | Numer Produktu | ilość | Opis                                     | Notes |
|------|----------------|-------|--|-------|
| 0-   | 101117934      | 1     | WARNING LABEL HOT                        | [1]   |
| 01   | 107145440      | 1     | STRAINER VALVE COMPL. KIT                |       |
| 02   | 107145440      | 1     | STRAINER VALVE COMPL. KIT                |       |
| 03   | 301001133      | 1     | HOSE CLAMP 10/7                          |       |
| 04   | 101117750      | 1     | DETERGENT HOSEW/CAP AND FILTER           | [1]   |
| 05   | 101117749      | 1     | CABLE GROMMET                            | [1]   |
| 06   | 106408243      | 1     | HOSE 1/4INCH TRANSPARENT - 5 METERS      |       |
| 07   | 101117752      | 1     | CAP FOR FUEL TANK                        | [1]   |
| 08   | 1604222        | 1     | STRAINER                                 |       |
| 09   | 301001133      | 9     | HOSE CLAMP 10/7                          |       |
| 10   | 106408244      | 1     | HOSE D6X2.5 - 5 METERS                   |       |
| 11   | 101117751      | 1     | VENTILATIONS PLUG FOR 6/10 HOSE          | [1]   |
| 12   | 101117794      | 1     | T CONNECTOR PIECE D6                     | [1]   |
| 13   | 101118007      | 1     | LEVEL SENSOR KIT                         |       |
| 14   | 101118006      | 1     | FUEL TANK COMPLETE KIT                   |       |
| 15   | 101117678      | 2     | CABLE HOOK COMP                          | [2]   |
| 16   | 1800440        | 2     | WASHER M6 DIN 125A ZN                    |       |
| 17   | 31410          | 2     | SCREW M6 X 50 DIN 912 8.8 FZG            |       |
| 18   | 101118043      | 1     | KIT F. FUEL TANK W LEV. SENS. AND DIAGR. | [3]   |
| 19   | 101117920      | 1     | DETERGENT TANK NEPTUNE 2                 | [1]   |

Part Notes:

- [1] - STOCK COVERS GUARANTEE
- [2] - NO LONGER AVAILABLE
- [3] - upgrade kit  
STOCK COVERS GUARANTEE

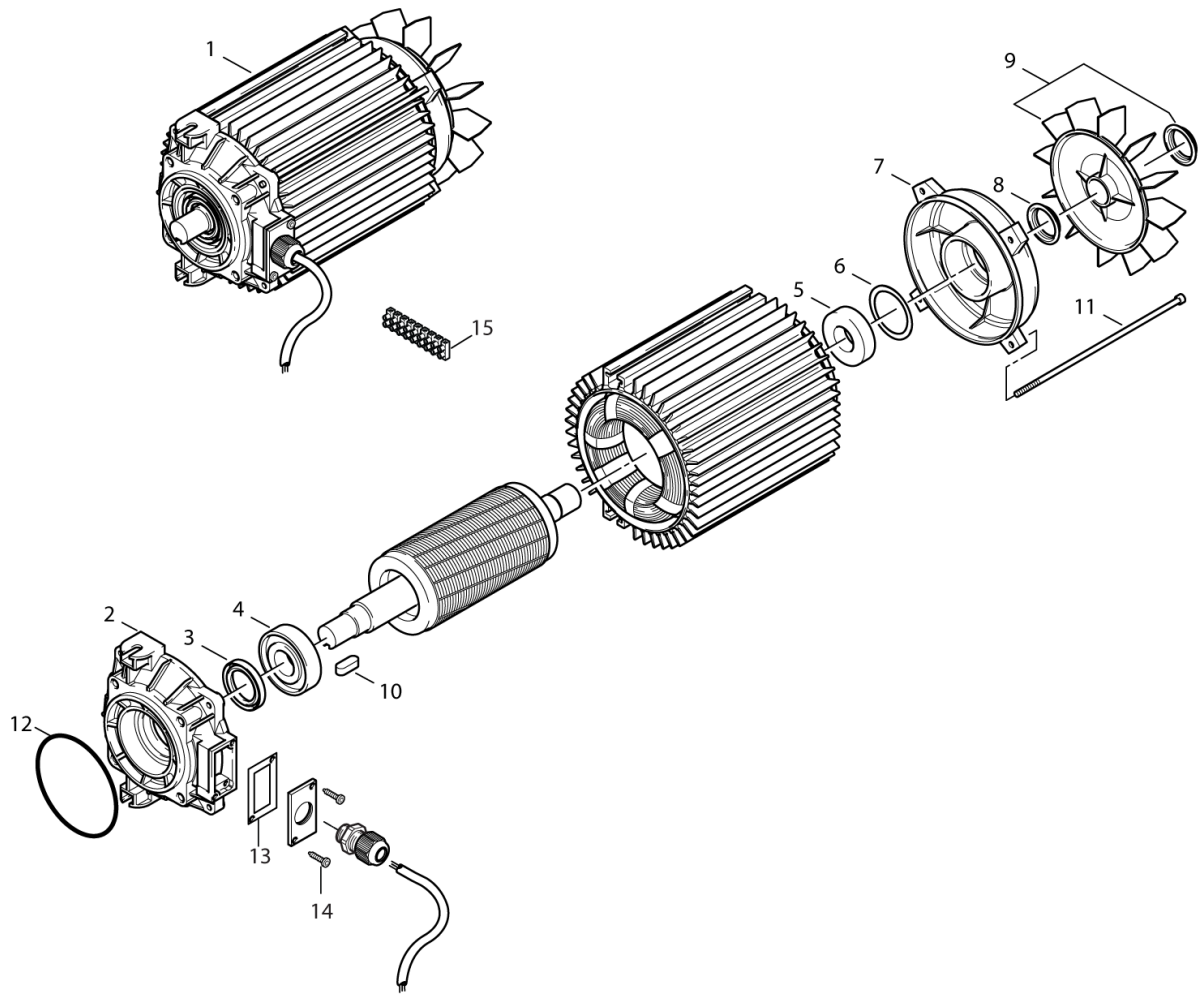




| Pos. | Numer Produktu | ilość | Opis                              | Notes |
|------|----------------|-------|-----------------------------------|-------|
| 1    | 101117669      | 1     | WATER BREAK TANK COMP.            | [1]   |
| 2    | 107141838      | 6     | ŚRUBA K50X18 WN1451 CZARNA TORX20 |       |
| 3    | 101117784      | 1     | ZAWÓR                             | [2]   |
| 4    | 34218          | 1     | FILTER FOR FLOAT VALVE Ø19 KU     |       |
| 5    | 62878          | 1     | MEMBRANE RUBBER                   |       |
| 6    | 62877          | 1     | SWIMMER Ø 55X60                   |       |
| 7    | 101117670      | 1     | SUCTION HOSE KIT.                 | [1]   |
| 8    | 101117796      | 1     | SILICONE GASKET D3X1              | [1]   |
| 9    | 101117785      | 1     | LOCK NUT 3/4                      | [1]   |
| 10   | 8298           | 2     | HOSE CLIP 16-27                   |       |
| 11   | 107142766      | 1     | HOSE NOZZLE                       |       |
| 12   | 15587          | 1     | PACKING RING 14X24X2 RUBBER       |       |
| 13   | 101117671      | 1     | INLET HOSE KIT                    | [1]   |
| 14   | 101117781      | 1     | CABLE GROMMET 60/90/40            | [1]   |
| 15   | 101117748      | 1     | PLUG FOR D6 / D10 HOSE            | [3]   |

## Part Notes:

- [1] - STOCK COVERS GUARANTEE
- [2] - See instruction MI - 107145329 Float valve  
Floatvalve
- [3] - NO LONGER AVAILABLE



| Pos. | Numer Produktu | ilość | Opis                             | Notes |
|------|----------------|-------|----------------------------------|-------|
| 01   | 31000330       | 1     | MOTOR 1 PH 2.6 KHW 230V          | [1]   |
| 01   | 31000331       | 1     | MOTOR 3 PH 3 KHW 400V            | [2]   |
| 02   | 301003077      | 1     | MOTOR FLANGE                     |       |
| 03   | 301003078      | 1     | OIL SEAL                         |       |
| 04   | 301003079      | 1     | BEARING 7305                     |       |
| 05   | 301003080      | 1     | BEARING 6205 ZZ                  |       |
| 06   | 301003081      | 1     | O RING DIA 52                    |       |
| 07   | 301003082      | 1     | BEARING COVER                    | [3]   |
| 08   | 103004397      | 1     | SEAL V-RING                      |       |
| 09   | 301003084      | 1     | FAN INCL SEAL V-RING             |       |
| 10   | 101814798      | 1     | KEY 6 X 6 X 20 MM FOR POSEIDON 4 |       |
| 11   | 301003085      | 4     | SCREW M5X205                     |       |
| 12   | 61026          | 1     | O-RING 94.92X2.62 NBR70          |       |
| 13   | 31000336       | 1     | SEALING                          | [3]   |
| 14   | 1803030        | 1     | SCREW CROSS M5 X 12 FZB DIN7985  |       |
| 15   | 101117839      | 1     | TERMINAL PLUG AND TERMINAL PINS  |       |

## Part Notes:

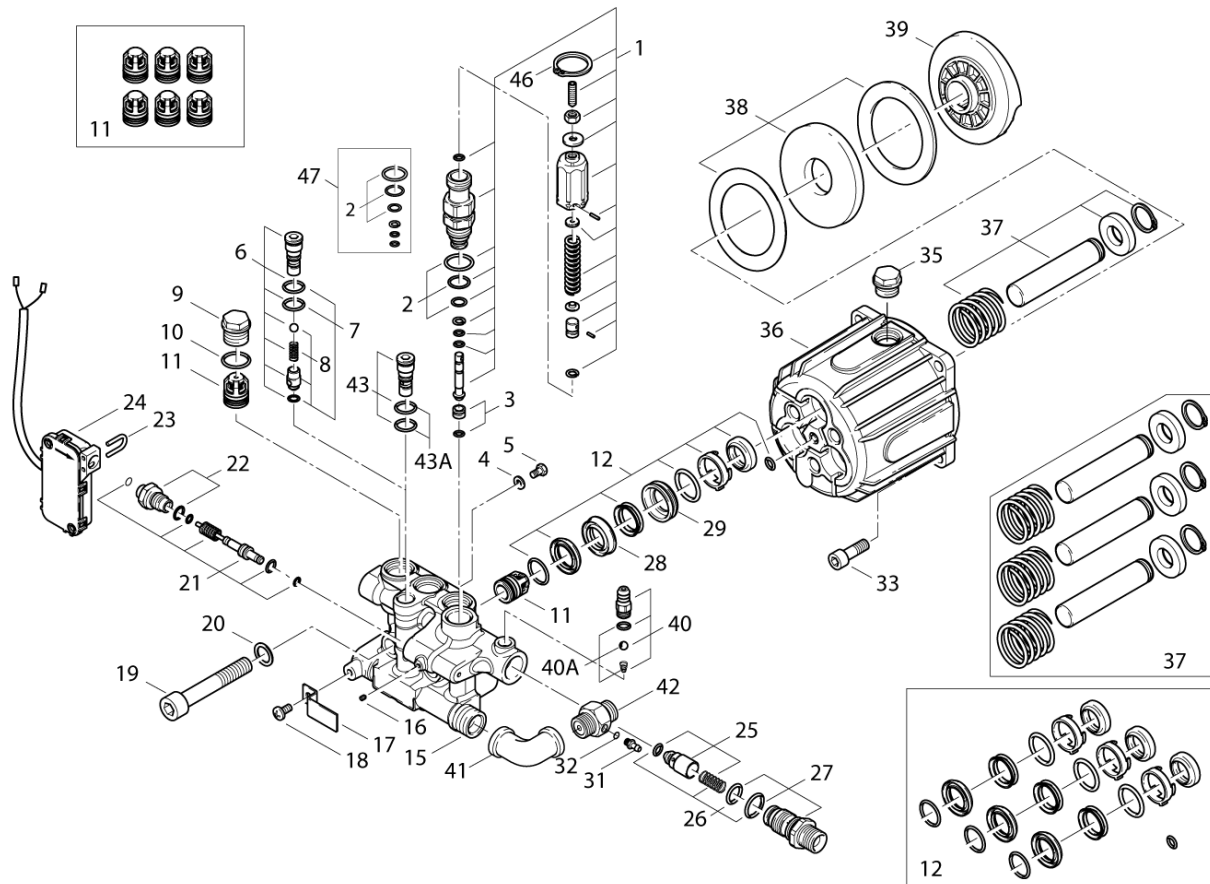
- [1] - 1 phase
- [2] - 3 phase
- [3] - STOCK COVERS GUARANTEE

# Pump

NEPTUNE 2-26 SPECIAL / MH 2M 140/600

2017.11.02

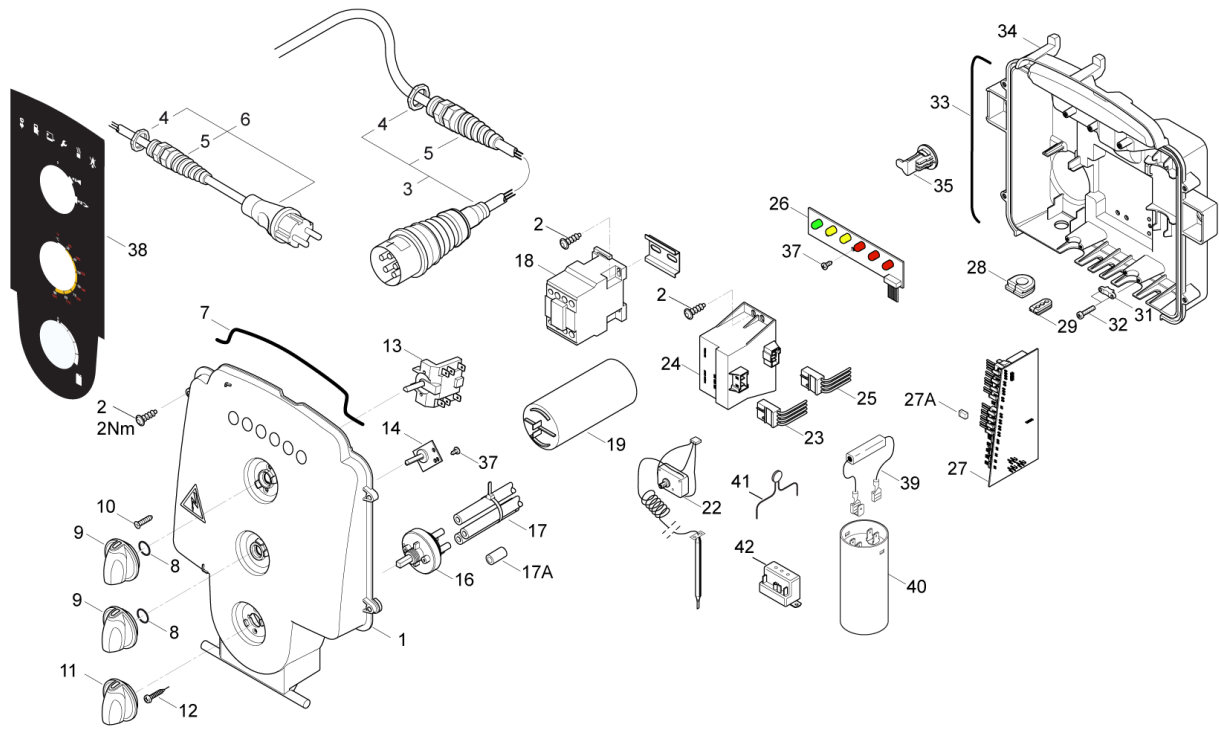
2017.11.24



| Pos. | Numer Produktu | ilość | Opis                       | Notes |
|------|----------------|-------|----------------------------|-------|
| 0-   | 909100414      | 1     | PUMP OIL ROTRA THT 1L      | [1]   |
| 01   | 301003031      | 1     | REGULATOR                  |       |
| 02   | 301003032      | 1     | O-RING REGULATION SAFETY   |       |
| 03   | 301003033      | 1     | KIT VALVE SEAT             |       |
| 04   | 301003034      | 1     | O-RING 6.75X1.78           |       |
| 05   | 301003035      | 1     | SCREW M6                   |       |
| 06   | 301003036      | 1     | EASY START KIT             |       |
| 07   | 301003037      | 1     | O-RING EASY START KIT      |       |
| 08   | 301003038      | 1     | SEAT EASY START KIT        |       |
| 09   | 301003039      | 3     | PLUG Ø 15.6                |       |
| 10   | 301003040      | 3     | O-RING Ø 15.6X1.78         |       |
| 11   | 107145272      | 1     | COMPLETE VALVE 6 PCS       |       |
| 12   | 301003042      | 1     | Kit Piston Guide           |       |
| 15   | 301003045      | 1     | PUMP HEAD                  |       |
| 16   | 301003046      | 1     | SCREW M3X5                 |       |
| 17   | 301003047      | 1     | BRACKET                    |       |
| 18   | 301003048      | 1     | SCREW M5X10                |       |
| 19   | 301003049      | 3     | SCREW M12X70 UNI 5931      |       |
| 20   | 301003050      | 3     | WASHER Ø12                 |       |
| 21   | 301003051      | 1     | ZESTAW NAPR. TŁOCZYSKA     |       |
| 22   | 301003052      | 1     | SCREWING KIT               |       |
| 23   | 301003053      | 1     | CLAMP                      |       |
| 24   | 31000332       | 1     | MICRO SWITCH KIT           |       |
| 25   | 301003055      | 1     | INJECTOR                   |       |
| 26   | 301003056      | 1     | ZESTAW USZCZELNIEN         |       |
| 27   | 31000334       | 1     | OUTLET                     |       |
| 28   | 301001559      | 3     | THRUST COLLAR Ø 18 NP3- HP |       |
| 29   | 301003059      | 3     | PROWADNICA TŁOKA           |       |
| 33   | 301003063      | 4     | SCREW M5X25 UNI 5931       |       |
| 35   | 301003064      | 1     | PLUG                       |       |
| 36   | 31000329       | 1     | HOUSING                    | [2]   |
| 37   | 301003066      | 1     | PISTON KIT 3X              |       |
| 38   | 301003067      | 1     | BEARING KIT                |       |
| 39   | 301003138      | 1     | WOBBLE DISC 10.5 DEGREES   | [3]   |
| 39   | 301003137      | 1     | WOBBLE DISC 11             | [4]   |
| 40   | 301003070      | 1     | HOSE CONNECTION            |       |
| 40A  | 301003159      | 1     | HOSE CONNECTION KIT        |       |
| 41   | 31000333       | 1     | ELBOW 90 DEGREES           |       |
| 42   | 101117779      | 1     | DETERGENT INLET            | [2]   |
| 43   | 301003073      | 1     | PLUG KIT                   |       |
| 43A  | 301003160      | 1     | O-RING KIT                 |       |
| 44   | 101117953      | 1     | SUCTION FITTING D2.0       | [2]   |
| 45   | 101117776      | 1     | O-RING 6.35X1.78 NBR 70    | [2]   |
| 46   | 101117994      | 1     | RETAINER RING Ø23 DIN 471  |       |
| 47   | 31000344       | 1     | O-RING KIT                 |       |
| 31   | 101117984      | 1     | SUCTION FITTING D1.7       | [2]   |
| 31   | 101117953      | 1     | SUCTION FITTING D2.0       | [5]   |
| 32   | 101117776      | 1     | O-RING 6.35X1.78 NBR 70    | [2]   |

## Part Notes:

- [1] - 0,18L - OIL TYPES\_QUANTITY for HPW\_APRIL 2017
- [2] - STOCK COVERS GUARANTEE
- [3] - 1 phase
- [4] - 3 phase
- [5] - STOCK COVERS GUARANTEE  
JP, KR, Exp.

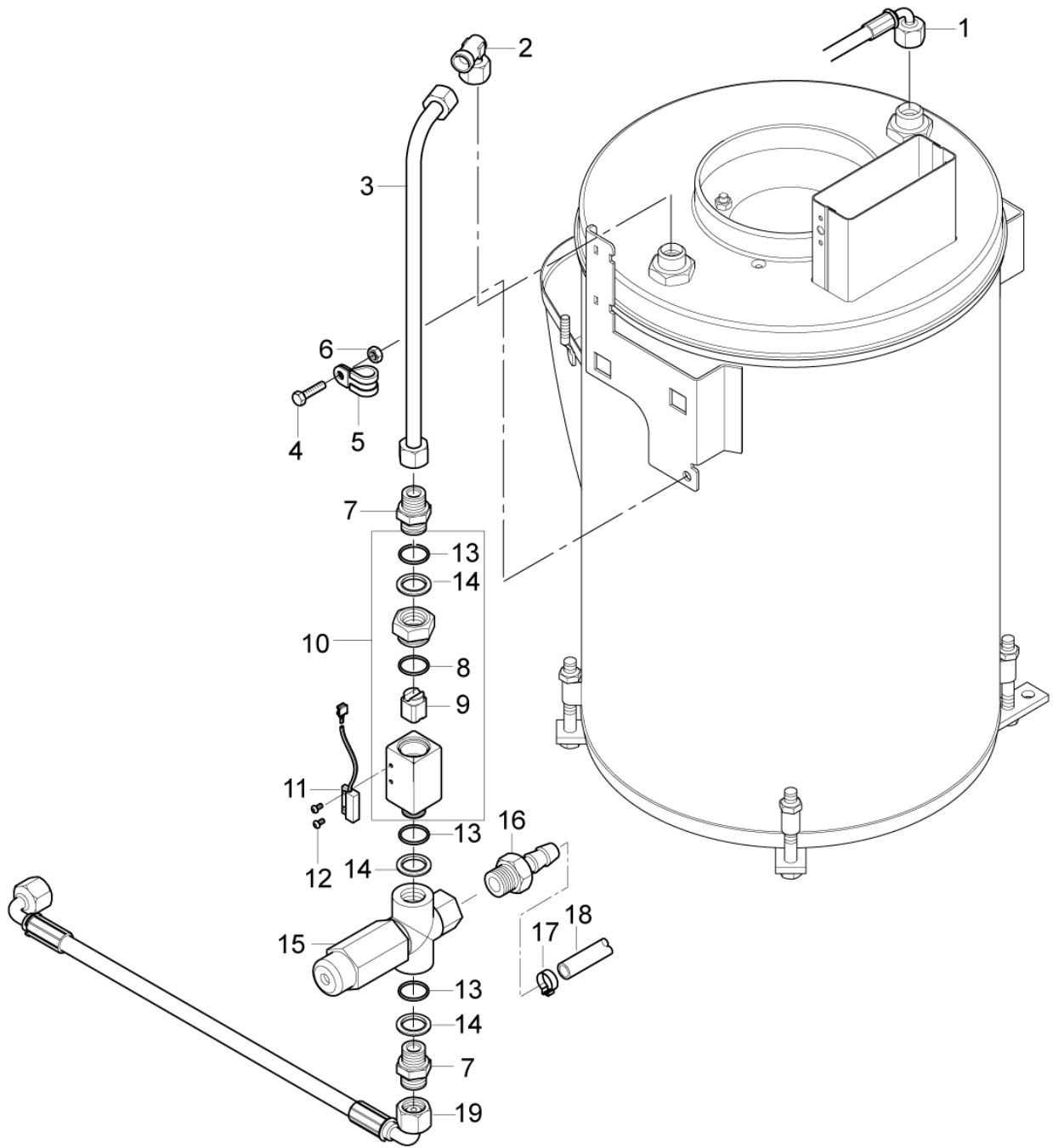


| Pos. | Numer Produktu | ilość | Opis                                     | Notes |
|------|----------------|-------|--|-------|
| 1    | 101117734      | 1     | ELECTRIC BOX LID                         | [1]   |
| 2    | 107141838      | 2     | ŚRUBA K50X18 WN1451 CZARNA TORX20        |       |
| 3    | 101117810      | 1     | POWER C.H07RN 4G1.5 CEE5 GDN 6.3X0.8 KIT | [2]   |
| 4    | 909100019      | 1     | NAKRETKA M20X1.5 EN 50262                |       |
| 5    | 909100043      | 1     | OSŁONA PREWODY EL. M20X1.5               |       |
| 6    | 101117809      | 1     | POWER C.H07RN 3G1.5 CEE7 GDN 6.3X0.8 KIT | [3]   |
| 7    | 101117738      | 1     | FOAM LIST FOR E-BOX                      | [1]   |
| 8    | 9868           | 2     | O-RING 10,2x2,5 NBR 70SH                 |       |
| 9    | 909100204      | 1     | POKREŃŁO 6X5 ALTO BLUE                   |       |
| 10   | 18274          | 2     | ŚRUBA M4X12                              |       |
| 11   | 909100214      | 1     | POKREŃŁO                                 |       |
| 12   | 1814730        | 2     | SCREW 35X10B W1423                       |       |
| 13   | 28877          | 1     | SWITCH 10A 400V AC                       |       |
| 14   | 101117730      | 1     | PCB FOR POTENTIOMETER                    |       |
| 15   | 101117729      | 1     | CABLE BETWEEN MAIN PCB AND POTI          | [1]   |
| 16   | 301001000      | 1     | ZAWÓR                                    |       |
| 17   | 106408243      | 1     | HOSE 1/4INCH TRANSPARENT - 5 METERS      |       |
| 17A  | 301001906      | 1     | CLOSING CAP D12X21.5                     |       |
| 18   | 103822306      | 1     | CONTACTOR CJX2-D18 18A 24V 3P+NO         |       |
| 19   | 301002798      | 1     | CAPACITOR 80UF400/450V                   | [3]   |
| 22   | 101117723      | 1     | WŁĄCZNIK                                 |       |
| 23   | 101117728      | 1     | CABLE F. POWER TRANSF. PRIMARY 400VNO/US | [1]   |
| 24   | 101117724      | 1     | POWER TRANSFORMER 230/400-24/8V T70      |       |
| 25   | 101117727      | 1     | CABLE FOR POWER TRANSFORMER              | [1]   |
| 26   | 101117731      | 1     | PCB FOR LCD                              | [1]   |
| 27   | 101117732      | 1     | MAIN PCB                                 |       |
| 27A  | 53840          | 1     | ZWORA 2 POLOWA                           |       |
| 28   | 301002746      | 2     | GROMMET CONNECTION HOSE                  | [1]   |
| 29   | 101117735      | 4     | CABLE GROMMET 3 HOLES                    | [1]   |
| 31   | 3806262        | 1     | STRAIN RELIEF BRACKET 27.                |       |
| 32   | 909100046      | 2     | SCREW 4X8 WN 1412 STZN                   |       |
| 33   | 101406054      | 2     | SPONGE RUBBER Ø 4 1M                     |       |
| 34   | 101117733      | 1     | ELECTRIC BOX                             | [1]   |
| 35   | 301001261      | 2     | LOCKING BOLT D29X35                      |       |
| 37   | 2759           | 2     | HEXAGON NUT M4                           |       |
| 38   | 101117866      | 1     | LABEL OPERATION NEPTUNE 1 KIT            | [1]   |
| 39   | 301000402      | 1     | RESISTANCE 15KOHM/7W                     |       |
| 40   | 301001056      | 1     | STARTING CAPACITOR 98MF 330V W/O BOLT    |       |
| 41   | 301002353      | 1     | INRUSH CURRENT LIMITER 5 OHM / 5W        |       |
| 42   | 101117969      | 1     | START RELAY 4CR-1-785 KIT                | [1]   |

## Part Notes:

- [1] - STOCK COVERS GUARANTEE  
 [2] - 3 phase  
 STOCK COVERS GUARANTEE  
 [3] - 1 phase

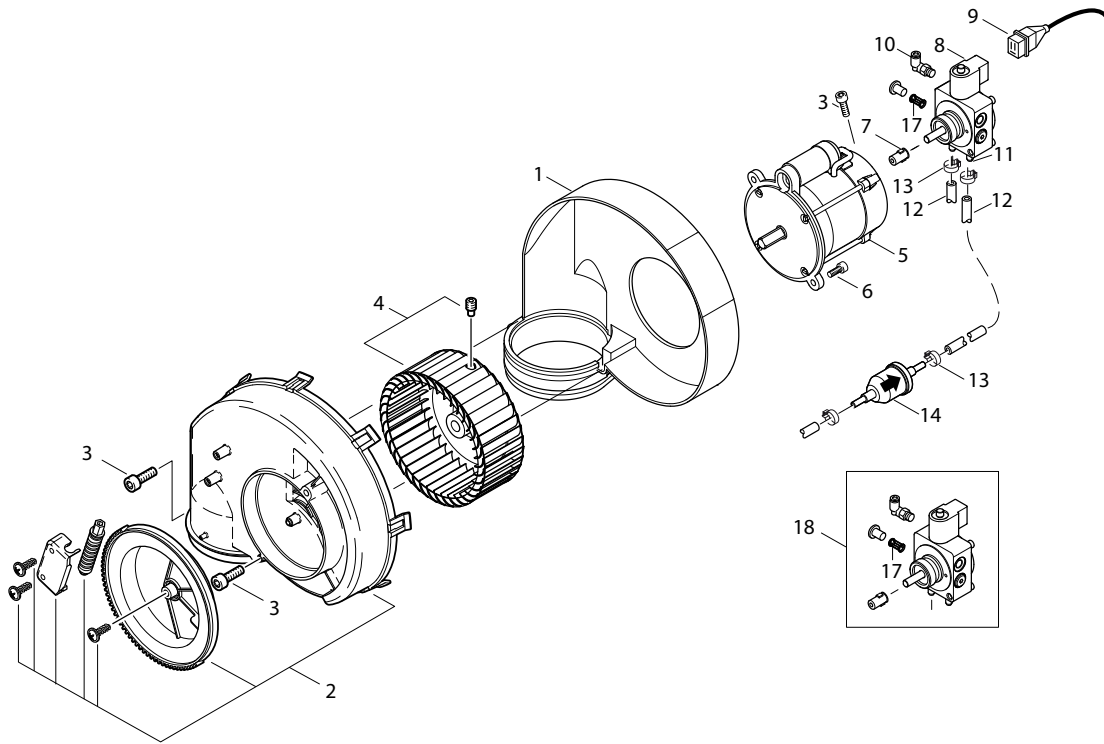




| Pos. | Numer Produktu | ilość | Opis                                    | Notes |
|------|----------------|-------|---|-------|
| 01   | 101117740      | 1     | HP HOSE 295MM                           | [1]   |
| 02   | 101118094      | 1     | ZŁĄCZE M18X1.5                          |       |
| 03   | 101117676      | 1     | STEEL PIPE COMP.                        | [1]   |
| 04   | 4697           | 1     | SCREW M6X16                             |       |
| 05   | 101117718      | 1     | CLAMP FOR PIPE                          |       |
| 06   | 11619          | 1     | Lock Nut M6 - 8 A2K DIN985              |       |
| 07   | 1601079        | 2     | THREADED CONNECTION                     |       |
| 08   | G120381        | 1     | O-RING 18x2 NBR 70SH                    |       |
| 09   | 101117716      | 1     | MAGNET HOUSING CPL.                     |       |
| 10   | 101117675      | 1     | FLOW SWITCH COMP.                       |       |
| 11   | 101117719      | 1     | REED SWITCH FOR FLOW SWITCH             |       |
| 12   | 101117717      | 2     | SCREW TORX M3X6 ELECTRO PLATED DIN 7985 |       |
| 13   | 16998          | 3     | O-RING                                  |       |
| 14   | 1801075        | 3     | PIERŚCIEŃ USZCZ. 23.8X17.2X2 3/8        |       |
| 15   | 101117722      | 1     | SAFETY VALVE ADJUSTED TO 250 +5/-5 BAR  | [2]   |
| 15   | 101117950      | 1     | SAFETY VALVE COMP. ADJUST 200+5/-5 BAR  | [3]   |
| 16   | 2580           | 1     | HOSE LINER Ø 6 G3/8                     |       |
| 17   | 11654          | 1     | KLAMRA                                  |       |
| 18   | 4973           | 1     | HOSE Ø6X3                               |       |
| 18   | 101406100      | 1     | HOSE DN 6X3 5M                          |       |
| 19   | 101117715      | 1     | HP HOSE 428MM                           | [1]   |

## Part Notes:

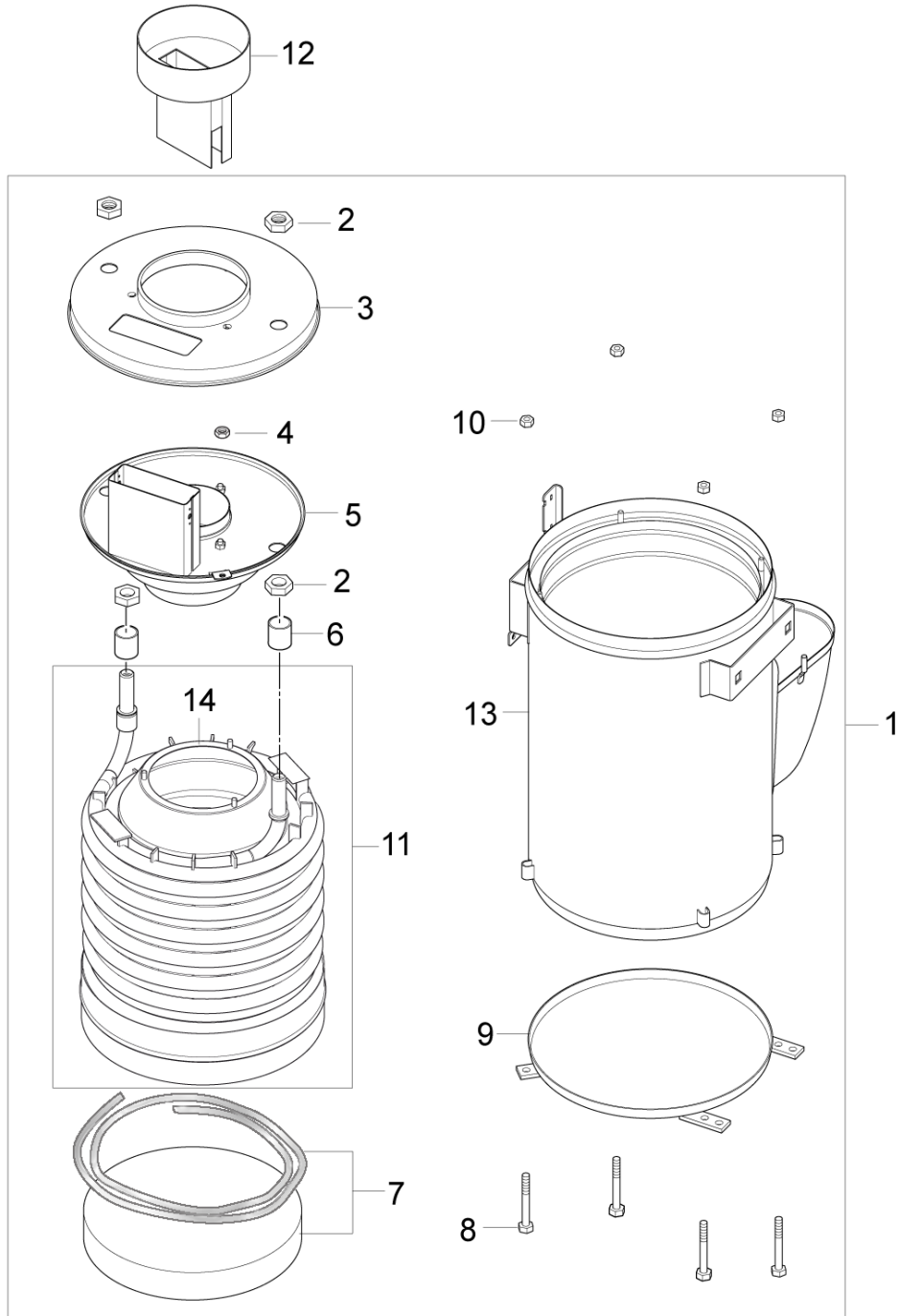
- [1] - STOCK COVERS GUARANTEE
- [2] - 3 phase
- [3] - 1 phase  
STOCK COVERS GUARANTEE



| Pos. | Numer Produktu | ilość | Opis                                    | Notes |
|------|----------------|-------|---|-------|
| 1    | 101117704      | 1     | FAN HOUSING N2                          |       |
| 2    | 301000852      | 1     | COVER FOR FAN HOUSING                   |       |
| 3    | 32535          | 3     | SCREW M5X16                             |       |
| 4    | 301000889      | 1     | KOŁO WENTYLATORA                        |       |
| 5    | 107143096      | 1     | MOTOR BURNER - 0.23KW/230V/50HZ/1PH     |       |
| 5    | 101117960      | 1     | BURNER FAN 110-120V MOTOR KIT           | [1]   |
| 5    | 107318245      | 1     | BURNER MOTOR 200V                       | [2]   |
| 5    | 107143097      | 1     | MOTOR BURNER 390W/200-240V/50/60HZ      | [3]   |
| 6    | 4697           | 2     | SCREW M6X16                             |       |
| 7    | 101117707      | 1     | COUPLING FOR OIL PUMP BFA 01 L3L        |       |
| 8    | 3821089        | 1     | CEWKA KPL.                              |       |
| 9    | 101117703      | 1     | CABLE FOR OIL SOLONOIDE                 |       |
| 10   | 101117706      | 1     | PUSH-IN ANGLE FITTING                   |       |
| 11   | 101117777      | 1     | HOSE CONNECTIONS FOR OIL PUMP BFA 01 L3 |       |
| 12   | 106408244      | 1     | HOSE D6X2.5 - 5 METERS                  |       |
| 13   | 11654          | 2     | KLAMRA                                  |       |
| 14   | 301002926      | 1     | FILTR                                   |       |
| 17   | 31001081       | 1     | 31001081                                |       |
| 18   | 101117673      | 1     | POMPA PALIWA                            |       |

## Part Notes:

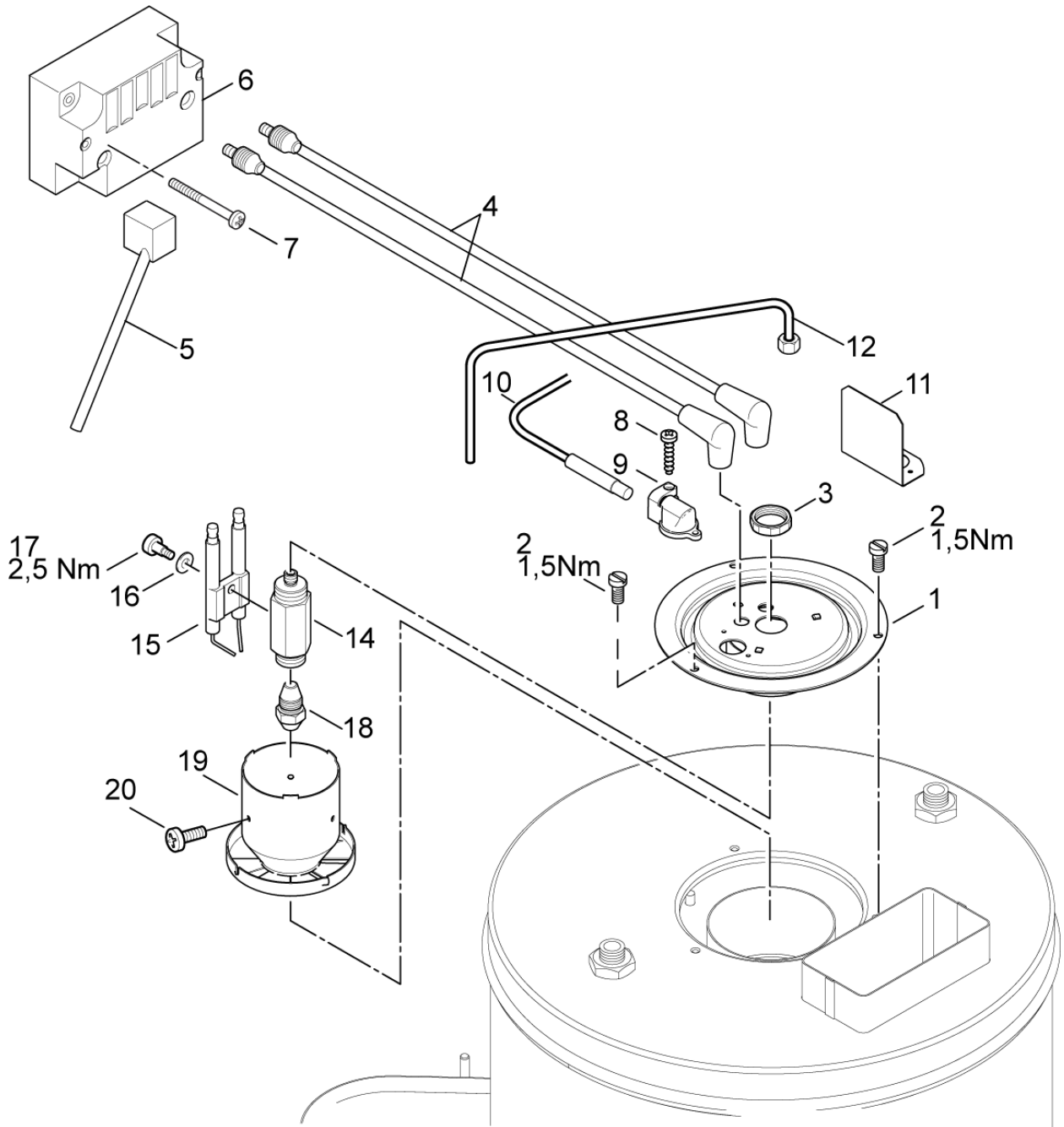
- [1] - NO LONGER AVAILABLE  
 [2] - NO LONGER AVAILABLE  
 200V 60HZ JP  
 [3] - USA, KR



| Pos. | Numer Produktu | ilość | Opis                                     | Notes |
|------|----------------|-------|--|-------|
| 1    | 101117754      | 1     | BOILER N2                                |       |
| 1    | 101117783      | 1     | NEPTUNE 2 BOILER W. STAINLESS STEEL COIL | [1]   |
| 2    | 7012           | 4     | HEXAGON NUT M18X1.5                      |       |
| 3    | 101117768      | 1     | BOILER COVER OUTER                       |       |
| 4    | 12263          | 4     | HEXAGON NUT M6                           |       |
| 5    | 101117767      | 1     | BOILER COVER INNER                       |       |
| 6    | 301000582      | 2     | BUSHING Ø22X1.5X24                       |       |
| 7    | 101117684      | 1     | ISOLATION KIT NEPTUNE 2                  |       |
| 8    | 3453           | 4     | SCREW M8X60                              |       |
| 9    | 101117755      | 1     | BOTTOM COVER BOILER                      |       |
| 10   | 2758           | 4     | HEXAGON NUT M8 DIN 934 zn                |       |
| 11   | 107143303      | 1     | COIL B2 SS, MH                           | [1]   |
| 11   | 101117790      | 1     | COIL FOR B2 BOILER                       |       |
| 12   | 107145328      | 1     | CHIMNEY ADAPTOR KIT                      | [2]   |
| 13   | 101117916      | 1     | BOILER JACKET                            |       |
| 14   | 31000527       | 1     | SHIELDING CONE FOR BOILER N2             |       |

## Part Notes:

- [1] - accessory  
 [2] - accessory  
 PRUNED ACCESSORY

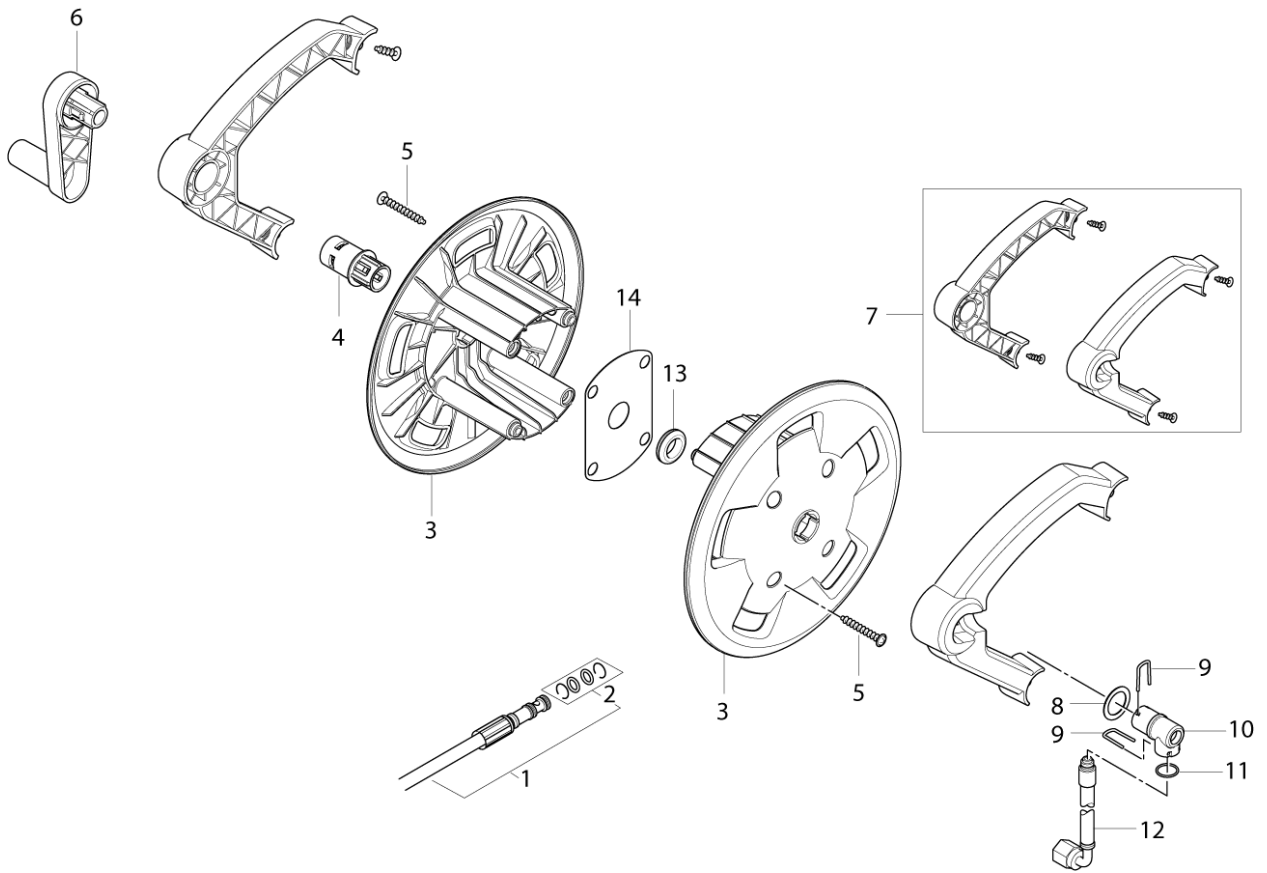


| Pos. | Numer Produktu | ilość | Opis                                    | Notes |
|------|----------------|-------|---|-------|
| 1    | 101117757      | 1     | COVER FOR BOILER COMPLETE               |       |
| 2    | 4820           | 3     | SCREW M5X10                             |       |
| 3    | 909100139      | 1     | HEXAGON NUT M20X1 24X6 CUZN             | [1]   |
| 4    | 101117760      | 1     | PRZEWÓD 7X500                           |       |
| 5    | 101117756      | 1     | PRIMARY CABLE FOR IGNITION COIL         |       |
| 6    | 101117759      | 1     | IGNITION TRANSF 220-240 50-60 - DANFOSS | [2]   |
| 7    | 42236          | 2     | CYLINDER SCREW M5X45 ISO 1207 ZN        |       |
| 8    | 5606           | 1     | SCREW 2.9X19                            |       |
| 9    | 301000934      | 1     | HOLDER FLAMESENSOR                      |       |
| 10   | 101117837      | 1     | FLAME SENSORPLUG KIT                    |       |
| 11   | 101117922      | 1     | PLATE FOR FLAME SENSOR KIT              | [1]   |
| 12   | 101117674      | 1     | FUEL PIPE COMP.                         | [1]   |
| 14   | 301001548      | 1     | HOLDER OIL ATOMIZER SW22X65.5           | [1]   |
| 15   | 301150009      | 1     | ELEKTRODY                               |       |
| 16   | 909100144      | 1     | SPRING WASHER B5                        |       |
| 17   | 909100143      | 1     | PAN HEAD SCREW M4X 4.5                  |       |
| 18   | 2802712        | 1     | OIL NOZZLE 1.0 GAL 60 DEGREES           | [3]   |
| 18   | 301002856      | 1     | FUEL NOZZLE 0.75 60 DEG.                | [4]   |
| 19   | 101117758      | 1     | AIR DISTRIBUTOR                         | [3]   |
| 19   | 301002848      | 1     | AIR DISTRIBUTOR D80 X 71.3              | [4]   |
| 20   | 51848          | 3     | OVAL HEAD SCREW M3X4                    |       |

## Part Notes:

- [1] - STOCK COVERS GUARANTEE
- [2] - TSB-PPW-2018-004 Boiler cannot start - no ignition  
DE TSB-PPW-2018-004 Brenner startet nicht - keine Zündung
- [3] - 3 phase
- [4] - 1 phase

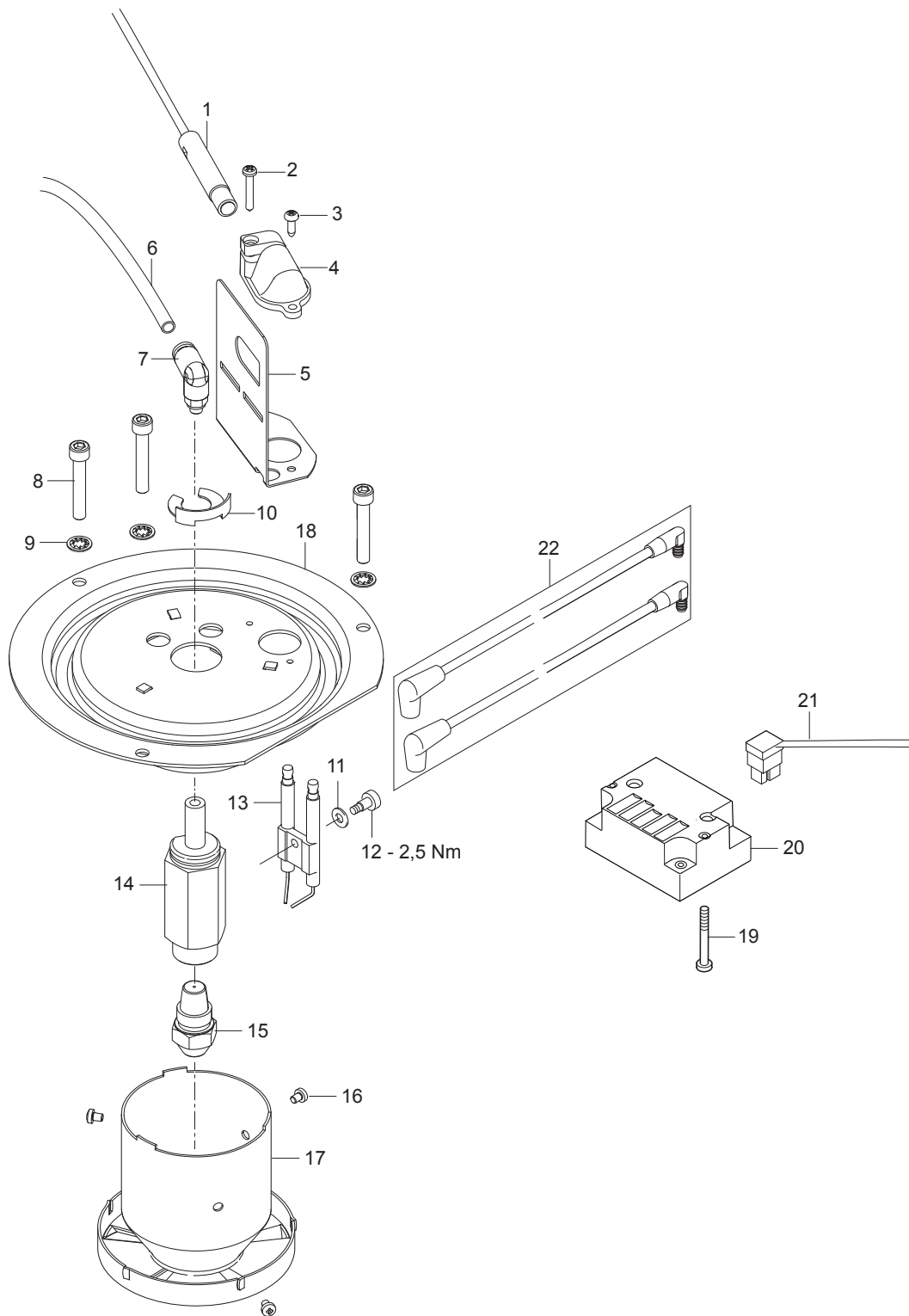




| Pos. | Numer Produktu | ilość | Opis                                    | Notes |
|------|----------------|-------|---|-------|
| 0-   | 107145197      | 1     | BĘBEN DO ZWIJANIA WĘŻA                  | [1]   |
| 1    | 101117763      | 1     | WAŻ 15 M SWIVEL                         |       |
| 2    | 101117787      | 1     | O-RING KIT 10x2 HNBR 90 SH W/BACKUP RIN |       |
| 3    | 6528570        | 2     | HOSE REEL                               |       |
| 4    | 301002273      | 1     | ADAPTOR                                 | [2]   |
| 5    | 1814641        | 4     | SCREW PT K50X30 TORX                    |       |
| 6    | 6528569        | 1     | HOSE REEL HANDL                         |       |
| 7    | 101117683      | 1     | ADAPTORS FOR HOSE REEL COMP             | [2]   |
| 8    | 6127995        | 1     | WASHER                                  |       |
| 9    | 6526487        | 2     | LOCK BRACKET SS                         |       |
| 10   | 6127990        | 1     | CONNECTOR D14/D14 CUZN                  |       |
| 11   | 101117762      | 1     | O-RING 14.3X2.4 NBR 70 SHORE            |       |
| 12   | 101117761      | 1     | HP HOSE 600MM                           |       |
| 13   | 101117992      | 1     | RUBBER BUSH F HOSE REEL KIT             | [2]   |
| 14   | 101117991      | 1     | PLATE F. HOSE REEL KIT                  | [2]   |

## Part Notes:

- [1] - PRUNED-NO REPLACEMENT  
 [2] - STOCK COVERS GUARANTEE



| Pos. | Numer Produktu | ilość | Opis                                    | Notes |
|------|----------------|-------|---|-------|
| 1    | 107143100      | 1     | FLAME SENSOR WITH CABLE                 |       |
| 2    | 5606           | 1     | SCREW 2.9X19                            |       |
| 3    | 4036           | 1     | SHEET METAL SCREW 2.9X9                 |       |
| 4    | 301000934      | 1     | HOLDER FLAMESENSOR                      |       |
| 5    | 107143101      | 1     | SHIELD FOR FLAME SENSOR                 |       |
| 6    | 909100141      | 1     | RURKA Ø4X1 DIN 73378                    |       |
| 7    | 101117913      | 1     | ELBOW 4/M5 PUSH-IN                      |       |
| 8    | 3873           | 3     | SCREW M5X30                             |       |
| 9    | 3376           | 3     | SERRATED LOCK WASHER D5.3 A2 DIN 6798A  |       |
| 10   | 101117876      | 1     | CIRCLIPS                                |       |
| 11   | 909100144      | 1     | SPRING WASHER B5                        |       |
| 12   | 909100143      | 1     | PAN HEAD SCREW M4X 4.5                  |       |
| 13   | 301150009      | 1     | ELEKTRODY                               |       |
| 14   | 101117915      | 1     | OIL NOZZLE HOLDER                       |       |
| 15   | 2802712        | 1     | OIL NOZZLE 1.0 GAL 60 DEGREES           | [1]   |
| 15   | 301002856      | 1     | FUEL NOZZLE 0.75 60 DEG.                | [2]   |
| 16   | 51848          | 3     | OVAL HEAD SCREW M3X4                    |       |
| 17   | 101117758      | 1     | AIR DISTRIBUTOR                         | [1]   |
| 17   | 301002848      | 1     | AIR DISTRIBUTOR D80 X 71.3              | [2]   |
| 18   | 101117757      | 1     | COVER FOR BOILER COMPLETE               |       |
| 19   | 909100149      | 2     | SCREW K50X50 T25 WN1453                 |       |
| 20   | 101117759      | 1     | IGNITION TRANSF 220-240 50-60 - DANFOSS | [3]   |
| 21   | 107143098      | 1     | PRIMARY CABLE FOR IGNITION COIL         |       |
| 22   | 101118220      | 1     | 2 X IGNITION CORDS KIT                  |       |

## Part Notes:

- [1] - MH 2C-90/670 , MH 2M-155/660 , MH 2C-170/690 , MH 2C-190/780
- [2] - MH 2C-100/450 ,MH 1C-110/600 ,MH 2C-125/600 ,MH 2M-140/600 , MH 2C-145/600 , MH 1C-110/600
- [3] - TSB-PPW-2018-004 Boiler cannot start - no ignition  
FR TSB-PPW-2018-004 Le bruleur ne démarre plus  
DE TSB-PPW-2018-004 Brenner startet nicht - keine Zündung



| Pos. | Numer Produktu | ilość | Opis                                     | Notes |
|------|----------------|-------|--|-------|
| 0-   | 106403123      | 1     | PISTOLET ERGO 2000 VARIO PRESS           | [1]   |
| 0-   | 106403122      | 1     | PISTOLET ERGO 2000 Z OBROTNICĄ           | [2]   |
| 0-   | 101119496      | 1     | ERGO ZŁĄCZE KOMPL.                       |       |
| 00   | 301002275      | 1     | WAŻ 10MT DN6                             | [3]   |
| 01   | 101119736      | 1     | DYSZA TORNADO 0350 1/8"NPT BORDOWA       |       |
| 01   | 106402281      | 1     | FLEXOPOWER PLUS 990 ZAKRZ BEZ DYSZY      | [4]   |
| 01   | 106403035      | 1     | LANCA UNIVERSAL PLUS LANCE 1080          | [5]   |
| 01   | 101117783      | 1     | NEPTUNE 2 BOILER W. STAINLESS STEEL COIL |       |
| 02   | 107145347      | 1     | WALL MOUNTING BRACKET KIT                | [6]   |
| 02   | 107145197      | 1     | BEBEN DO ZWIJANIA WĘŻA                   | [7]   |
| 02   | 107145328      | 1     | CHIMNEY ADAPTOR KIT                      | [8]   |
| 02   | 107145337      | 1     | SAND FILTER CPL.                         | [9]   |
| 02   | 107145123      | 1     | ZBIORNIK ANTIKALK                        | [10]  |

## Part Notes:

- [1] - ERGO 2000 VP Spray handle
- [2] - ERGO 2000 Spray handle
- [3] - HOSES Overview
- [4] - FLEXOPOWER PLUS lance
- [5] - UNIVERSAL PLUS lance
- [6] - CONTACT PROD. MGMT.
- [7] - PRUNED-NO REPLACEMENT
- [8] - PRUNED ACCESSORY
- [9] - PRUNED-NO REPLACEMENT  
Sandfilter NEPTUNE 1 + 2
- [10] - PRUNED-NO REPLACEMENT  
Anti-scale



| Pos. | Numer Produktu | ilość | Opis                                    | Notes |
|------|----------------|-------|---|-------|
| 00   | 101117723      | 1     | WŁĄCZNIK                                |       |
| 00   | 101117730      | 1     | PCB FOR POTENTIOMETER                   |       |
| 00   | 101117760      | 1     | PRZEWÓD 7X500                           |       |
| 00   | 103822301      | 1     | STYCZNIK Cjx2-D12-B7 24V                |       |
| 00   | 301150009      | 1     | ELEKTRODY                               |       |
| 00   | 107145272      | 1     | COMPLETE VALVE 6 PCS                    |       |
| 00   | 301003031      | 1     | REGULATOR                               |       |
| 00   | 909100204      | 1     | POKRĘTŁO 6X5 ALTO BLUE                  |       |
| 00   | 101117784      | 1     | ZAWÓR                                   |       |
| 00   | 301001261      | 1     | LOCKING BOLT D29X35                     |       |
| 00   | 31000344       | 1     | O-RING KIT                              |       |
| 00   | 101117732      | 1     | MAIN PCB                                |       |
| 00   | 6127995        | 1     | WASHER                                  |       |
| 00   | 301003066      | 1     | PISTON KIT 3X                           |       |
| 00   | 301003037      | 1     | O-RING EASY START KIT                   |       |
| 00   | 301003038      | 1     | SEAT EASY START KIT                     |       |
| 00   | 301002856      | 1     | FUEL NOZZLE 0.75 60 DEG.                |       |
| 00   | 1604222        | 1     | STRAINER                                |       |
| 00   | 101117719      | 1     | REED SWITCH FOR FLOW SWITCH             |       |
| 00   | 107143096      | 1     | MOTOR BURNER - 0.23KW/230V/50HZ/1PH     |       |
| 00   | 301003137      | 1     | WOBBLE DISC 11                          |       |
| 00   | 101118007      | 1     | LEVEL SENSOR KIT                        |       |
| 00   | 101117673      | 1     | POMPA PALIWA                            |       |
| 00   | 1801075        | 1     | PIERŚCIEN USZCZ. 23.8X17.2X2 3/8        |       |
| 00   | 301003033      | 1     | KIT VALVE SEAT                          |       |
| 00   | 101117759      | 1     | IGNITION TRANSF 220-240 50-60 - DANFOSS |       |
| 00   | 28877          | 1     | SWITCH 10A 400V AC                      |       |
| 00   | 301003042      | 1     | Kit Piston Guide                        |       |
| 00   | 2802712        | 1     | OIL NOZZLE 1.0 GAL 60 DEGREES           |       |
| 00   | 301003052      | 1     | SCREWING KIT                            |       |
| 00   | 3821089        | 1     | CEWKA KPL.                              |       |
| 00   | 101117731      | 1     | PCB FOR LCD                             | [1]   |
| 00   | 31000332       | 1     | MICRO SWITCH KIT                        |       |
| 00   | 301003055      | 1     | INJECTOR                                |       |
| 00   | 101117684      | 1     | ISOLATION KIT NEPTUNE 2                 |       |
| 00   | 101117787      | 1     | O-RING KIT 10x2 HNBR 90 SH W/BACKUP RIN |       |
| 00   | 301002926      | 1     | FILTR                                   |       |
| 00   | 301002798      | 1     | CAPACITOR 80UF400/450V                  |       |
| 00   | 101117762      | 1     | O-RING 14.3X2.4 NBR 70 SHORE            |       |
| 00   | 301003036      | 1     | EASY START KIT                          |       |
| 00   | 301001000      | 1     | ZAWÓR                                   |       |
| 00   | 101117837      | 1     | FLAME SENSORPLUG KIT                    |       |
| 00   | 101117724      | 1     | POWER TRANSFORMER 230/400-24/8V T70     |       |
| 00   | 909100214      | 1     | POKRĘTŁO                                |       |
| 00   | 301003067      | 1     | BEARING KIT                             |       |
| 00   | 101117720      | 1     | SAFETY VALVE ADJUSTED TO 146 BAR        | [1]   |
| 00   | 301001056      | 1     | STARTING CAPACITOR 98MF 330V W/O BOLT   |       |
| 00   | 16998          | 1     | O-RING                                  |       |
| 00   | 301003051      | 1     | ZESTAW NAPR. TŁOCZYSKA                  |       |
| 00   | 301003056      | 1     | ZESTAW USZCZELNIENI                     |       |
| 00   | 301003138      | 1     | WOBBLE DISC 10.5 DEGREES                |       |
| 00   | 101117675      | 1     | FLOW SWITCH COMP.                       |       |

Part Notes:

[1] - STOCK COVERS GUARANTEE



