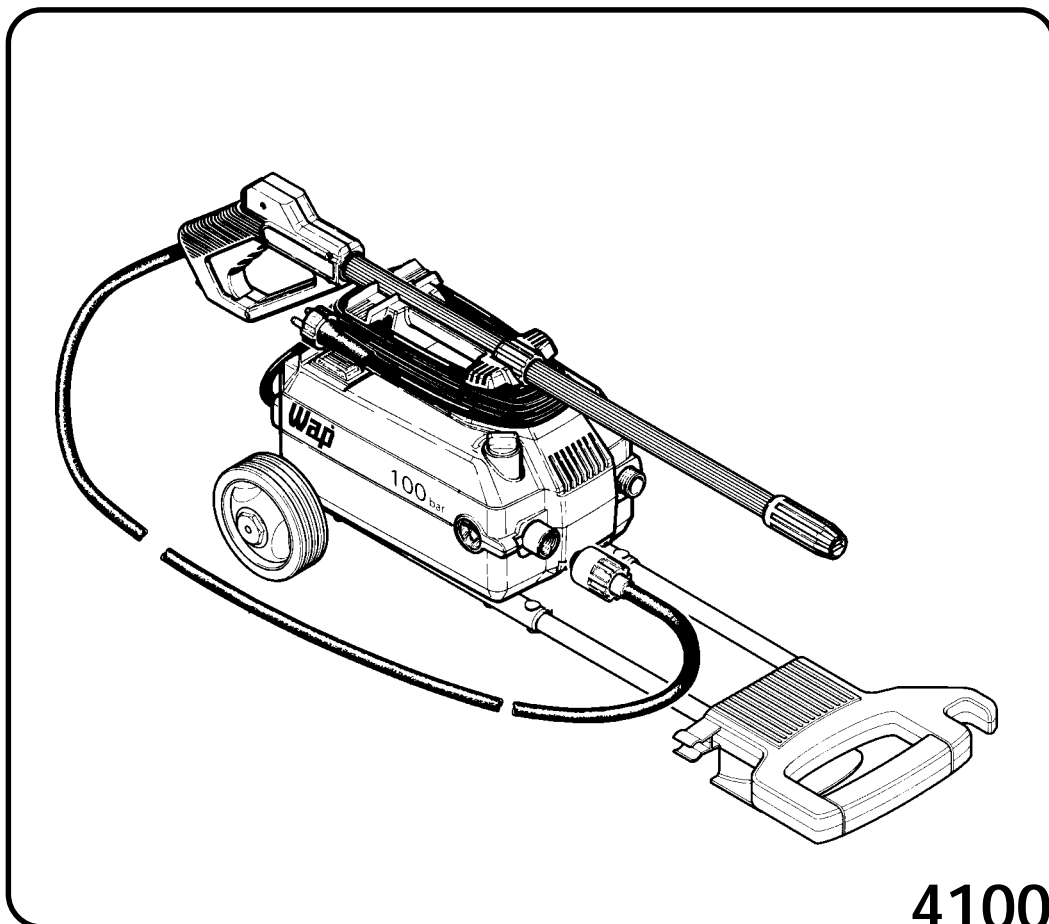


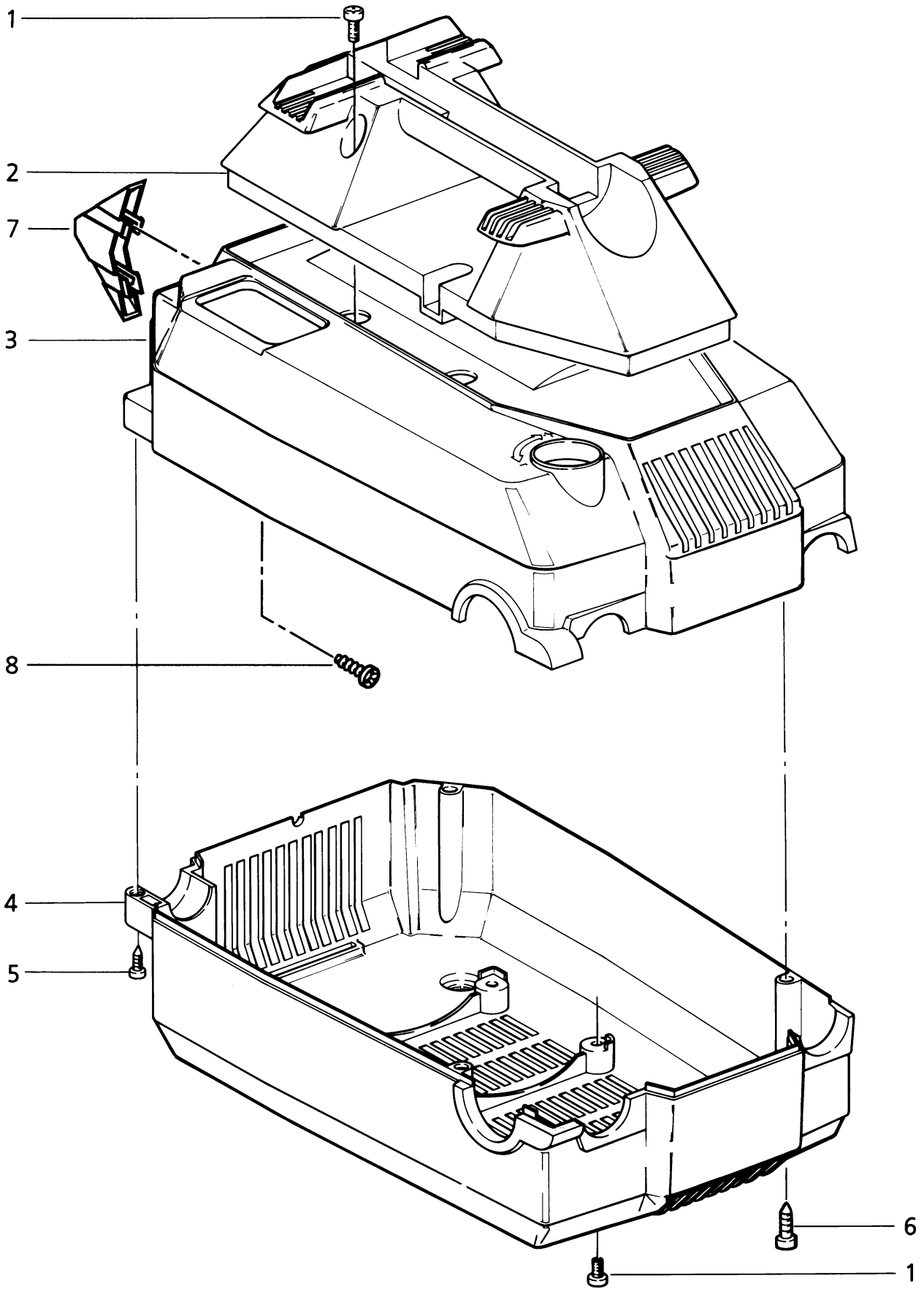


Ersatzteilliste
Spare Parts List
Pièces détachées



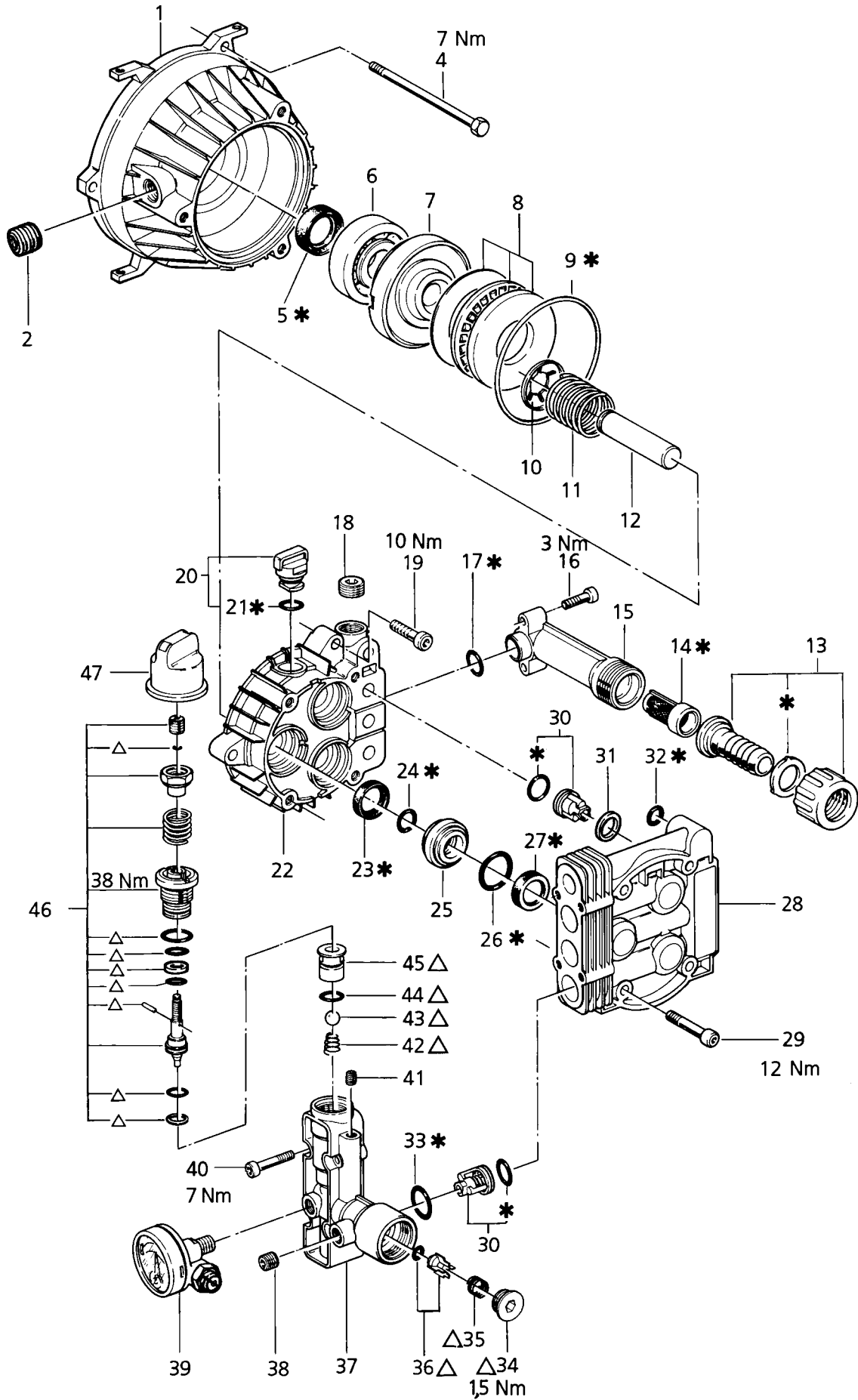
4100 drive
4500 drive
4700 drive

4100 drive
4500 drive
4700 drive



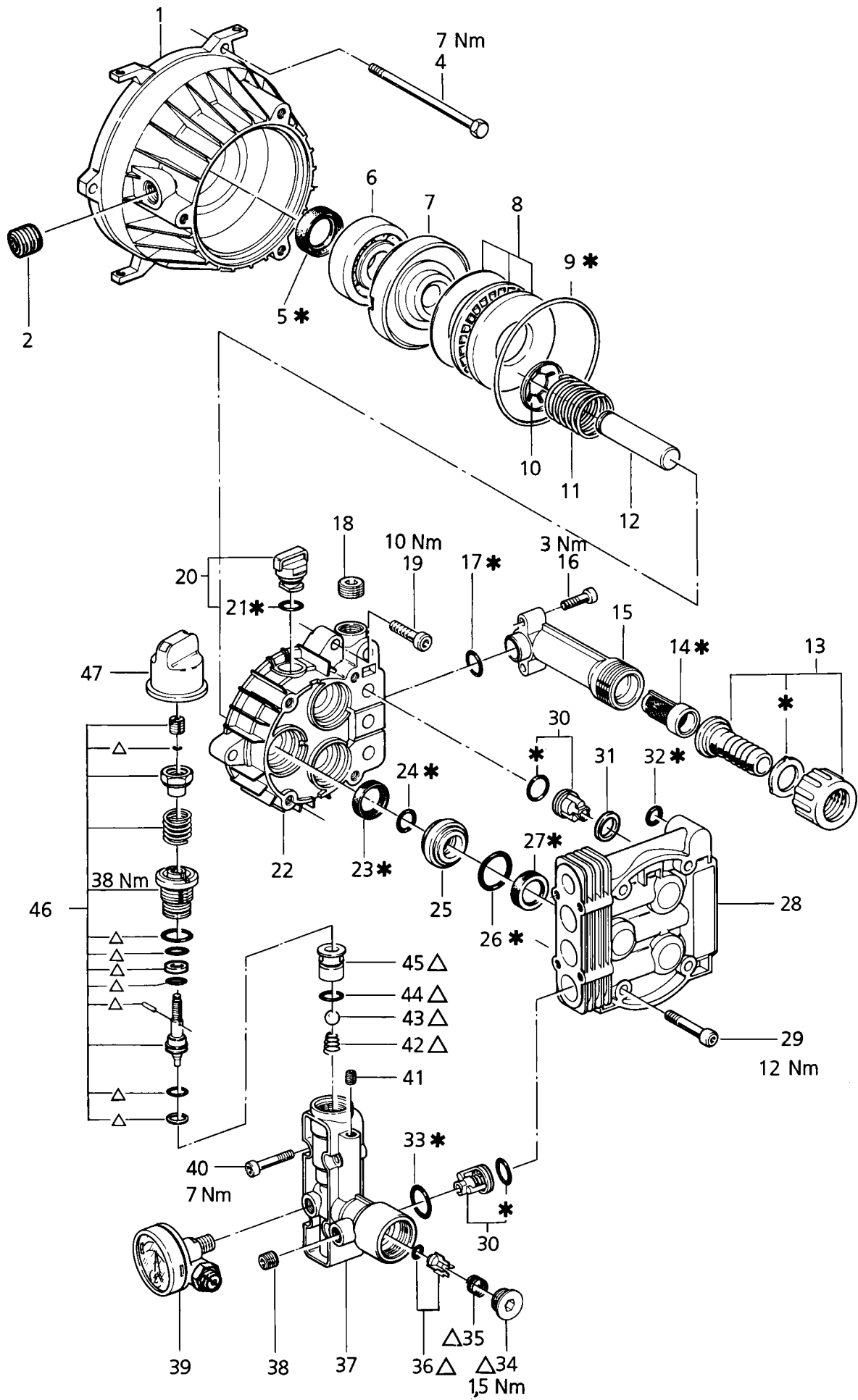
POS.	NO.	BEZEICHNUNG	DESCRIPTION	DESIGNATION
1	3348	Zyl. Schraube M 5x 10	Socket head cap screw M5x10	Vis cylindrique M5x10 DIN 84
2	54565	Handgriff	Handle	Poignée
3	54561	Gehäuseoberteil	Shroud	Capot
4	54564	Gehäuseunterteil 4100 drive	Shroud	Capot
	54563	Gehäuseunterteil 4500 drive	Shroud	Capot
	54562	Gehäuseunterteil 4700 drive	Shroud	Capot
5	16861	Schraube KA40x20	Screw PT 4x20	Vis autotaraudeuse PT 4x20
6	16510	Schraube KA40x30	Screw PT 4x30	Vis autotaraudeuse PT 4x30
7	25380	Fuß		
8	4036	Schraube Bl- 2,9x 9,5	Sheet metal screw 2,9x9,5 D	Vis autotaraudeuse 2,9x9,5 D

4100 drive
4500 drive
4700 drive



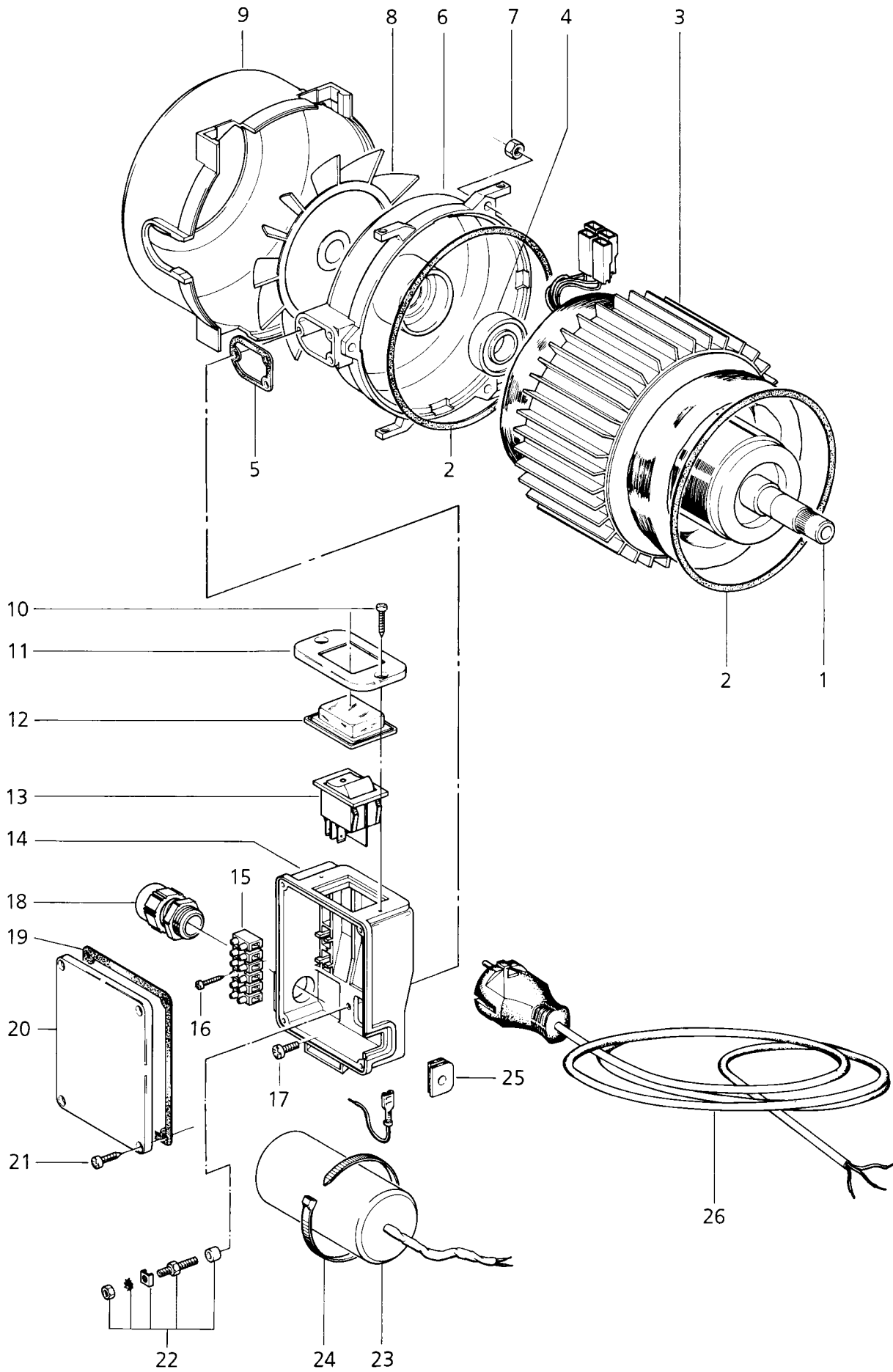
POS.	NO.	BEZEICHNUNG	DESCRIPTION	DESIGNATION
1	44328	Pumpengehäuse	Pump casing	Carter de pompe
2	6262	Verschluß-Schraube ¼"	"Screw plug 1/4" " "	"Bouchon 1/4" " "
4	42761	Skt. Schraube M 5x 96 4100 drive,4500drive	Hexagon cap screw M5x96 D Vis 6 pans M5x96 DIN 933	
	54582	Sechskantschraube M5x106 DIN 9 4700 drive	Hexagon cap screw M5x106 Vis 6 pans M5x106 DIN 933	
★	5	Wellendichtring 17x 28x7	Oil seal ring 17x28x7	Joint d" etancheite 17x28x7
	6	Wälzlager 30303	Anti-friction bearing 30303	Roulement 30303
	7	Taumelscheibe 4500 drive	Swash plate	Disque en nutation
	47649	Taumelscheibe 4100 drive *CA*	Swash plate	Disque en nutation
	44326	Taumelscheibe 4700 drive	Swash plate	Disque en nutation
	42560	Taumelscheibe 4100 drive*CH*	Swash plate	Disque en nutation
	8	Axial-Nadellager Set	Needle bearing	Roulement à billes
★	9	O-Ring 80,6 x2,62	O-Ring 80,6x2,62	Joint torique 80,6x2,62
	10	Achs-Klemmring	Clamping plate	Rondelle de serrage
	11	Druckfeder 4100 drive *CH*, 4500 drive, 4700 drive	Pressure spring	Ressort à pression
	48035	Druckfeder 4100 drive *CA*	Pressure spring	Ressort à pression
	12	Kolben	Piston	Piston
	13	Schlauchtülle DN13 32414 4100 drive *CA*	"Hose liner DN13 ÜMÿ" " Kl " Embout DN13 ÜMÿ" " Ku"	Accouplement
★	14	Ansaugsieb	Suction strainer	Filtre
	15	Wasserzulauf	Water intake	
	16	Zyl. Schraube M 5x 20	Socket head cap screw M5x2 Vis cylindrique M5x20 DIN 9	
★	17	O-Ring 12,5 x1,8	O-Ring 12,5x1,8	Joint torique 12,5x1,8
	18	Verschluß-Schraube ¼"	"Screw plug 1/4" " "	"Bouchon 1/4" " "
	19	Zyl. Schraube M 6x 25	Socket head cap screw M6x2 Vis cylindrique M6x25 DIN 9	
	20	Kappe	Cap	Capuchon
★	21	O-Ring 11,2 x1,8	O-Ring 11,2x1,8	Joint torique 11,2x1,8
	22	Flansch	Pump casing	Carter depompe
★	23	Dichtring 14 x 22 x 5/7	Packing ring 14x22x5/7	Anneau d'isolation 14x22x5,
★	24	O-Ring 14,0 x2,65 4100 drive *CH*,4500 drive, 4700 drive	O-Ring 14,0x2,65	Joint torique 14,0x2,65
	25	Ring	Ring 28x14	Entretoise 28x14
★	26	O-Ring 23,6 x1,8	O-Ring 23,6x1,8	Joint torique 23,6x1,8
	27	Dichtring 14 x 22 x 6	Packing ring 14x22x6	Anneau d'isolation 14x22x6
Δ	42801	Dichtungssatz	Packing set for Control Safet Jeu de garn.pour bloc régula	
★	42800	Dichtungssatz	Packing set for pump	Jeu de garniture pour pompe

4100 drive
4500 drive
4700 drive



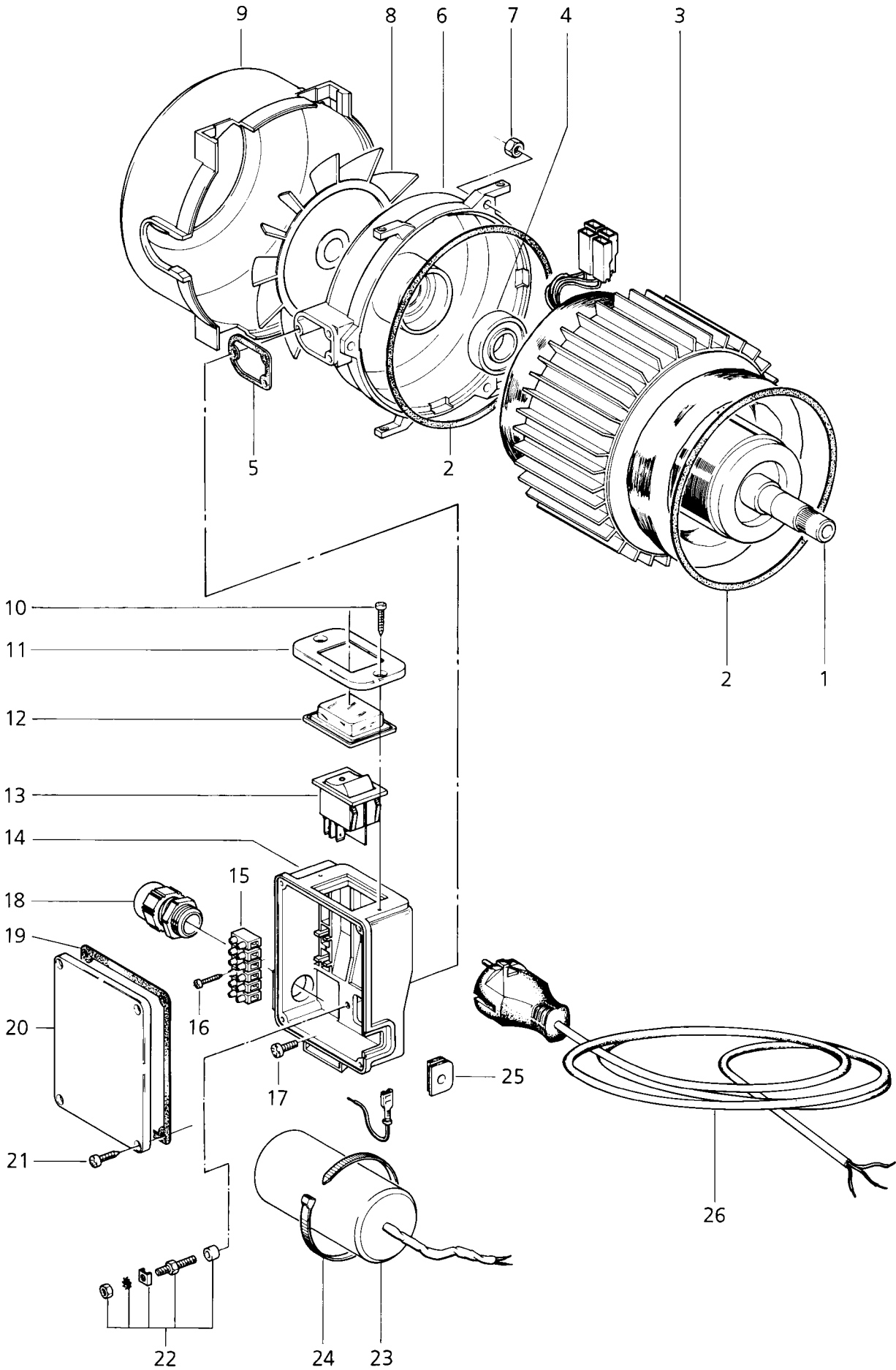
POS.	NO.	BEZEICHNUNG	DESCRIPTION	DESIGNATION
28	42331	Ventilblock 4100 drive, 4500 drive	Valve block	Bloc de soupapes
	43978	Zylinderkopf 4700 drive	CYLINDRICAL HEAD	TETE CYLINDRIQUE
29	9752	Zyl. Schraube M 6x 35	Socket head cap screw M6x35	Vis cylindrique M6x35 DIN 91
30	42771	Ventil	Valve compl.	Soupape compl.
31	44522	Scheibe 11 x1 4700 drive	Washer 11x1 D16	Rondelle 11x1 D16
★	32	7424 O-Ring 8,76x1,8	O-Ring 8,76x1,8	Joint torique 8,76x1,8
★	33	42779 O-Ring 15,0 x2,0	O-Ring 15x2	Joint torique 15x2
Δ	34	42786 Verschluß-Schraube M14	Screw plug M14	Bouchon M14
Δ	35	43503 Druckfeder	Pressure spring	Ressort à pression
Δ	36	54844 Rückschlagventil	Non-return valve	Soupape antiretour
	37	60060 Gehäuse		
	38	6261 Verschluß-Schraube G3/8	Screw plug G3/8	Bouchon G3/8
	39	45070 Manometer 130 Bar	MANOM. 130BAR D40R1/8	
	40	3873 Zyl. Schraube M 5x 30	Socket head cap screw M5x30	Vis cylindrique M5x30 DIN 91
	41	16704 Gewindestift M6x 8	Threaded pin M6x8 DIN 916	Vis de pression M6x8 DIN 916
Δ	42	42782 Druckfeder	Pressure spring	Ressort à pression
Δ	43	16507 Kugel	Ball	Bille
Δ	44	19691 O-Ring 9,5 x1,8	O-Ring 9,5x1,8	Joint torique 9,5x1,8
Δ	45	42781 Ventilsitz	Valve-seat insert	Bague logement soupape
	46	44559 Druckregulierung 4700 drive		REGULATEUR DE PRESSION
		42802 Druckregulierung 4100 drive,4500drive	PRESSURE REGULATION CPL.	
	47	42564 Drehknopf	Turning knob	Bouton
Δ		42801 Dichtungssatz	Packing set for Control Safet	Jeu de garn.pour bloc régulat
★		42800 Dichtungssatz	Packing set for pump	Jeu de garniture pour pompe

4100 drive
4500 drive
4700 drive



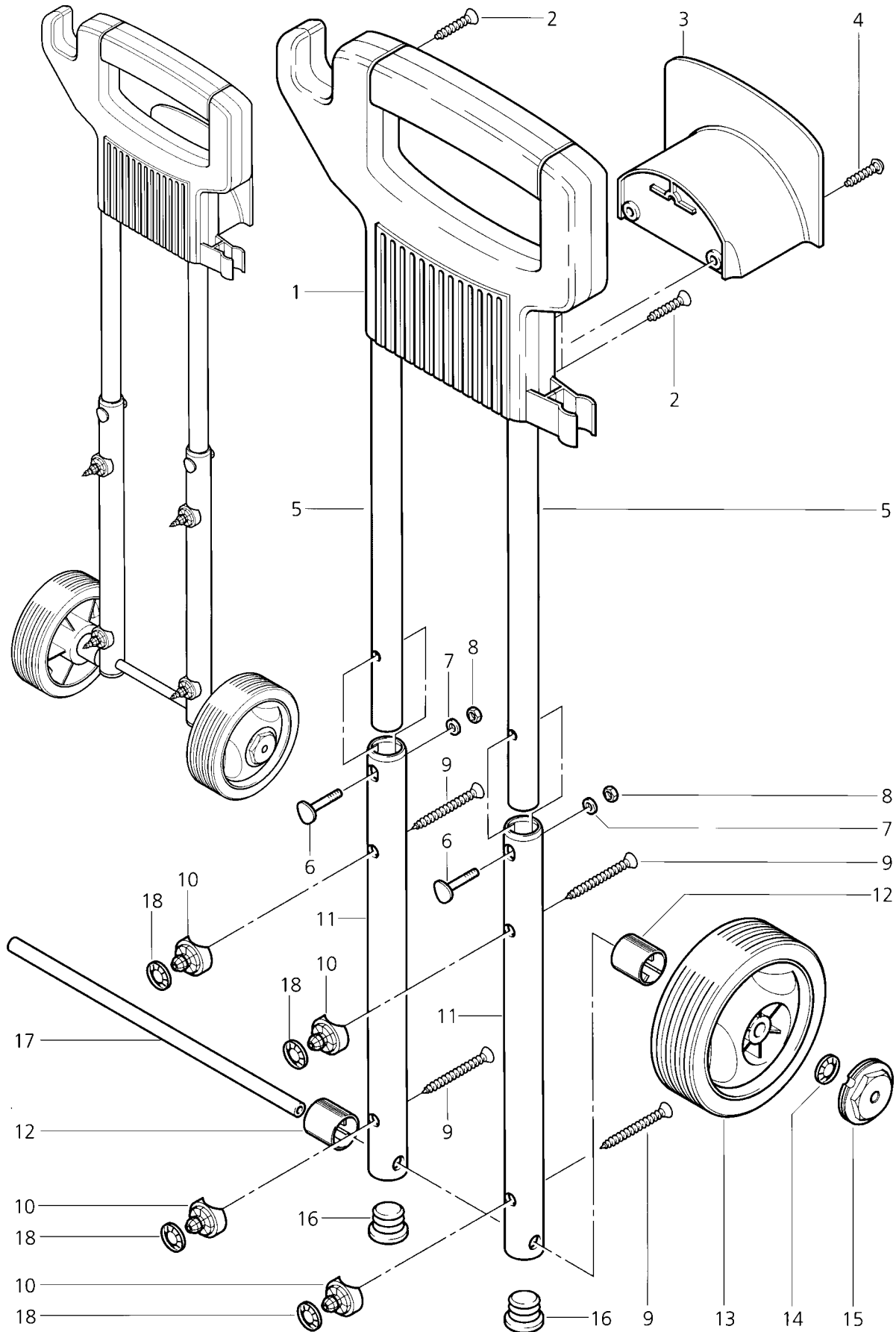
POS.	NO.	BEZEICHNUNG	DESCRIPTION	DESIGNATION
1	54552	Rotor 4100 drive *CA*	Rotor	Rotor
	54551	Rotor 4100 drive *CH* 4500 drive	Rotor	Rotor
	54550	Rotor 4700 drive	Rotor	Rotor
2	43201	Dichtung	Packing	Joint
3	54555	Stator 4700 drive	Stator 230V/50Hz	Stator 230V/50Hz
	54554	Stator 115V/60Hz 4100 drive *CA*	Stator 115V/60Hz	Stator 115V/60Hz
	54553	Stator 4100 drive *CH* 4500 drive *DE*EURO*SA*	Stator 230V/50Hz	Stator 230V/50Hz
	43226	Stator 240V/50Hz 4500 drive *GB*	Stator 240V/50Hz	Stator 240V/50Hz
4	42853	Rillenkugellager 6303-2RS	Anti-friction bearing 6303-2	Roulement 6303-2RS1
5	42791	Dichtung	Packing	Joint
6	54558	Lagerdeckel 4700 drive	Bearing cover	Couvercle de roulement
	42334	Lagerdeckel 4100 drive,4500drive	Bearing cover	Couvercle de roulement
7	2760	Mutter M 5	Hexagon nut M5 DIN 934	Ecrou 6 pans M5 DIN 934
8	54566	Lüfterrad	Fanwheel	Ventilateur
9	54573	Haube 4100 drive *CA*	Cover	Capot
	54572	Haube 4100 drive *CH* 4500 drive, 4700 drive	Cover	Capot
10	5188	Schraube BI- 2,9x16	Sheet metal screw 2,9x16 DII	Vis autotaraudeuse 2,9x16 D
11	42571	Rahmen	Frame	Cadre support
12	42798	Kappe	Cap	Capuchon
13	42797	Schalter 4100 drive *CH* 4500 drive, 4700 drive	Switch 250V 8A	Interrupteur 250V 8A
	48938	Geräteschutzschalter 16,0A 4100 drive *CA*	Switch 16A	Interrupteur général 16A
14	54557	Schalbkasten 4700 drive	Housing	Boitier
	48925	Schalbkasten 4100 drive *CA*	Housing	Boitier
	42569	Schalbkasten 4100 drive *CH* 4500 drive	Cover	Couvercle
15	5610	Klemmleiste	Terminal block	Bornier
16	18086	Linsenblechschrabe 2,9x13	Sheet metal screw 2,9x13 DII	Vis autotaraudeuse 2,9x13 D

4100 drive
4500 drive
4700 drive



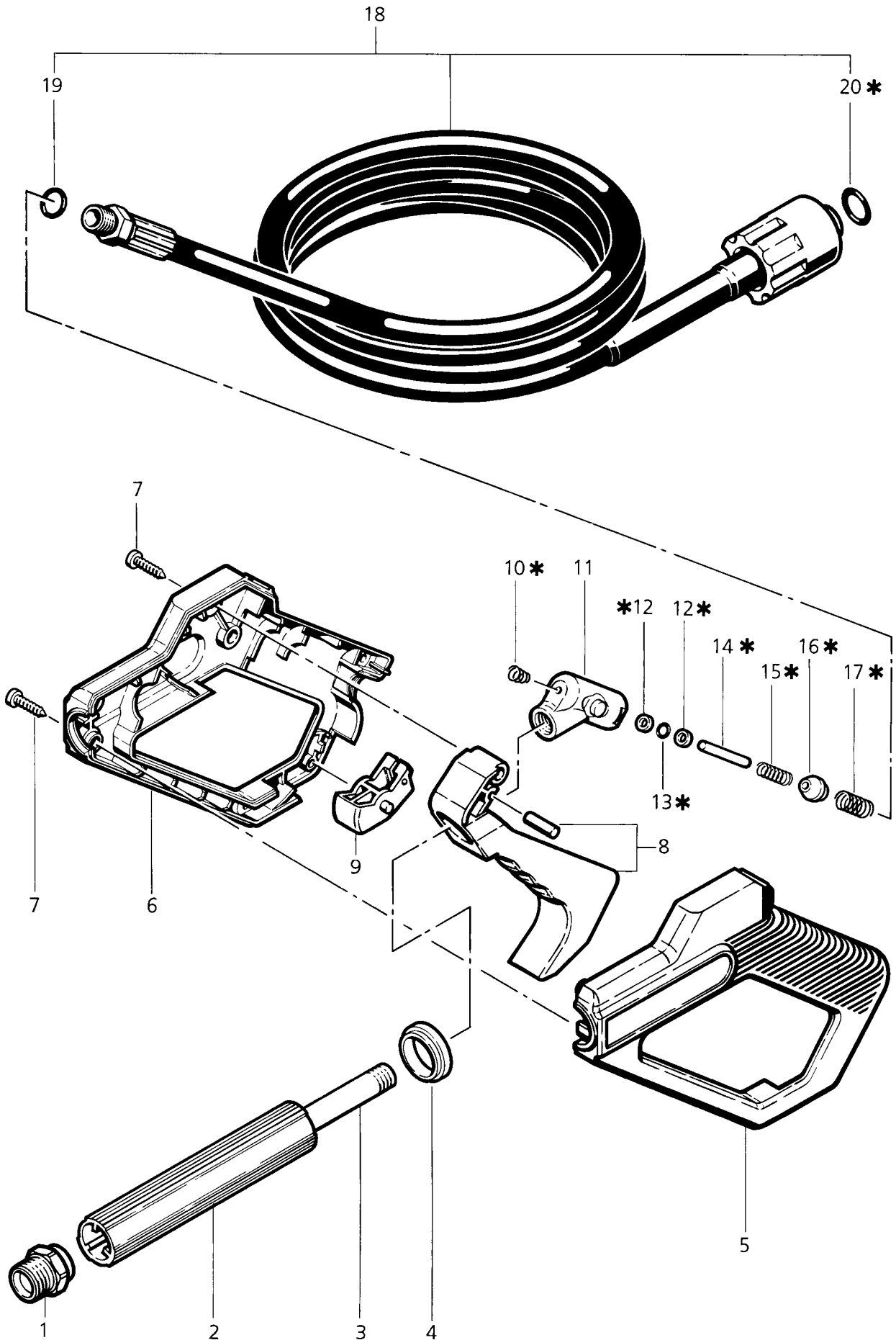
POS.	NO.	BEZEICHNUNG	DESCRIPTION	DESIGNATION
17	6163	Zyl. Schraube M 4x 12	Socket head cap screw M4x1	Vis cylindrique M4x12 DIN 84
18	17348	Kabelverschr. PG 11	Cable gland PG11	Raccord à vis pour câbles PG1
19	42792	Dichtung	Packing	Joint
20	48924	Deckel 4100 drive *CA*	Cover	Couvercle
	42570	Deckel 4100 drive *CH* 4500 drive, 4700 drive	Housing	Boîtier
21	11356	Schraube KA40x14	Screw PT 40x14	Vis autotaraudeuse PT 40x14
22	43471	Skt. Schraube M 4x 25	Hexagon cap screw M4x25	Vis 6 pans M4x25
23	54952	Kondensator 30µF 4700 drive		
	54556	Kondensator 4100 drive *CA*	Capacitor	Condensateur
	42795	Kondensator 25µF 4100 drive *CH* 4500 drive	Capacitor 25 µF	Condensateur 25 µF
24	8819	Kabelband	Cable tie	Attache pour câbles
25	42793	Kabeltülle	Cable bushing	Passe-fil
26	32571	Anschlußleitung 4500 drive *GB*	Power cable	Câble électrique
	32534	Anschlußleitung 4500 drive *DE*EURO*, 4700 drive	Power cable	Câble électrique
	27027	Anschlußleitung 4100 drive *CA*	Power cable	Câble électrique
	14503	Anschlußleitung 4500 drive *SA*	Power cable	Câble électrique

4100 drive
4500 drive
4700 drive



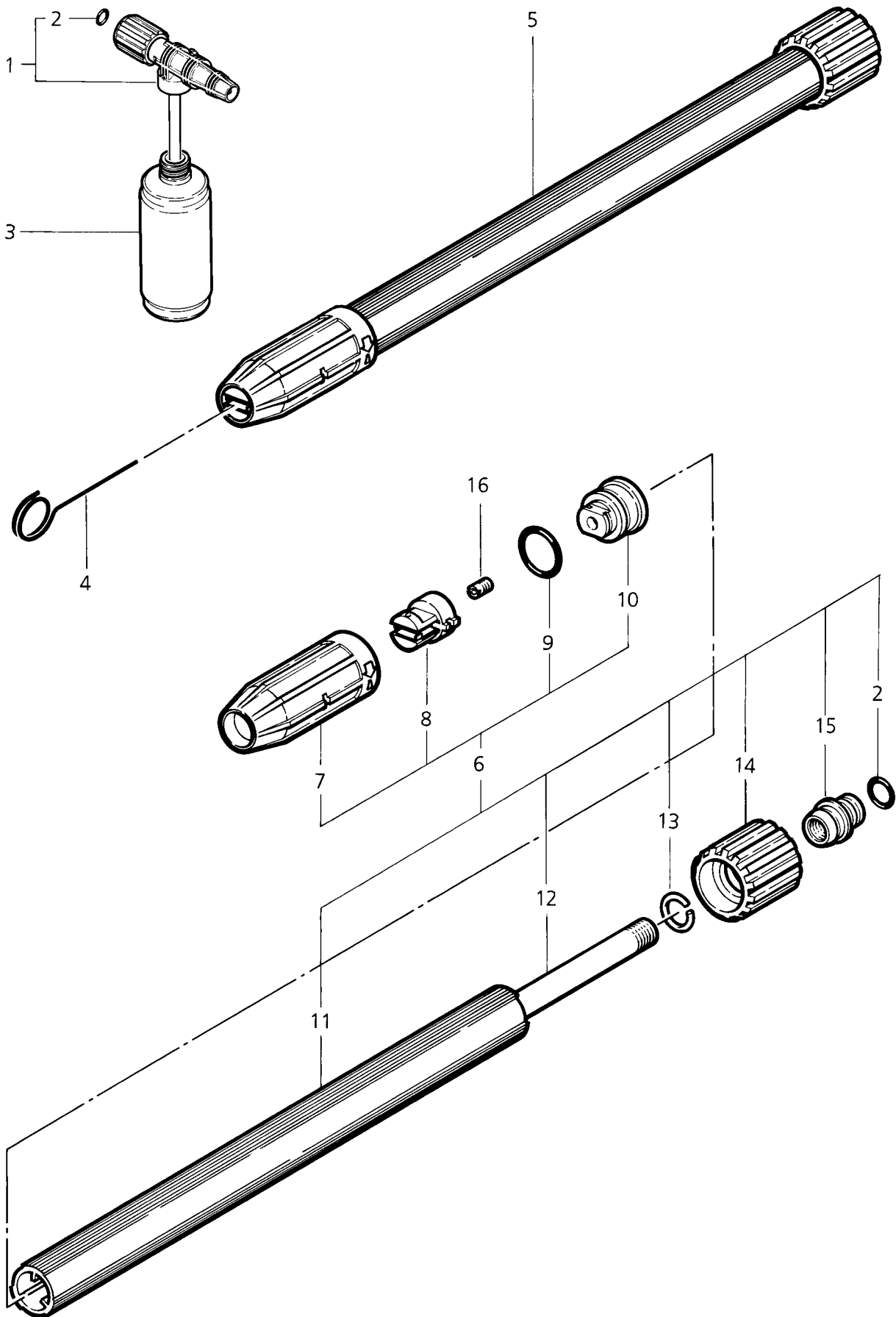
POS.	NO.	BEZEICHNUNG	DESCRIPTION	DESIGNATION
1	49910	Griffschale Set	Hand grip provision Set	Poignée Set
2	56727	Schraube KA50x20	Screw PT 50x20	Vis autotaraudeuse PT 50x20
3	43064	Schlauchhalter	Accessory tray	Support
4	56726	Schraube KA50x20	Screw PT 5x20	Vis autotaraudeuse PT 5x20
5	49912	Rohr	Tube	Tube
6	49426	Schraube M 5x30	Screw M5x30	Vis M5x30
7	2763	Scheibe A 5,3	Washer A 5,3 DIN 125	Rondelle A 5,3 DIN 125
8	2760	Mutter M 5	Hexagon nut M5 DIN 934	Ecrou 6 pans M5 DIN 934
9	49779	Schraube BI- 4,8x45	Sheet metal screw 4,8x45 DI	Vis autotaraudeuse 4,8x45 D
10	49913	Befestigungsteil		
11	49914	Rohr	Tube	Tube
12	49915	Distanzbuchse	Distance piece	Pièce de distance
13	49916	Rad	Wheel	Roue
14	31664	Klemmring	Clamping ring	Rondelle frein
15	49917	Radkappe	Cap	Capuchon
16	49918	Kappe	Cap	Capuchon
17	49919	Rohr	Tube	Tube
18	5639	Klemmring	Clamping ring D10x2	Rondelle frein D10x2

4100 drive
4500 drive
4700 drive



POS.	NO.	BEZEICHNUNG	DESCRIPTION	DESIGNATION	
1	43208	Nippel			
2	43209	Schutzrohr	Protective tube	Tube de protection	
3	43210	Sprührohr	Spray lance	Lance de projection coudée	
4	43212	Distanzring	Spacer ring	Rondelle de callage	
5	42754	Griffschale	Hand grip provision	Poignée	
6	44063	Griffschale	Hand grip provision	Poignée	
7	16861	Schraube KA40x20	Screw PT 4x20	Vis autotaraudeuse PT 4x20	
8	32856	Hebel	Lever	Levier	
9	16954	Sicherungshebel	Safety catch	Bouton de sécurité	
★	10	16506	Druckfeder	Pressure spring	Ressort à pression
	11	44058	Gehäuse	Casing	Corps
★	12	44062	Scheibe 3,1x1	Washer 3,1x1	Rondelle 3,1x1
★	13	44386	O-Ring 2,6 x1,2	O-Ring 2,6x1,2	Joint torique 2,6x1,2
★	14	44060	Zylinderstift	Cylindrical pin 3x37 VA	Goupille 3x37 VA
★	15	44059	Feder	Spring	Ressort
★	16	44061	Kegel		CONE
★	17	16505	Druckfeder	Pressure spring	Ressort à pression
	18	44093	HD-Schlauch DN¼x 8m	HP hose DN1/4x8 m	Tuyau HP DN1/4x8 m
	19	1381	O-Ring 14,0 x2,0	O-Ring 14,0x2,0	Joint torique 14,0x2,0
★	20	6441	O-Ring 11,0 x2,0	O-Ring 11x2	Joint torique 11x2
★		44842	Dichtungssatz	Packing set	Jeu de garniture

4100 drive
4500 drive
4700 drive



POS.	NO.	BEZEICHNUNG	DESCRIPTION	DESIGNATION
1	42647	Injektordüse	Nozzle	Buse
2	6149	O-Ring 9,3 x2,4	O-Ring 9,3x2,4	Joint torique 9,3x2,4
3	42607	Reinigungsmittelflasche	Detergent bottle	Bouteille à détergent
4	45355	Nadel	Needle	Aiguille
5	54593	Sprührohr 4500 drive	Spray lance	Lance de projection coudée
	54591	Sprührohr 4100 drive *CA*	Spray lance	Lance de projection coudée
	44604	Sprührohr 4700 drive	Spray lance	Lance de projection coudée
	42606	Sprührohr 4100 drive *CH*	Spray lance	Lance de projection coudée
6	44521	Sprührohr	Spray lance	Lance de projection coudée
7	42552	Hülse	Bush	Douille
8	43472	Strahlformer	Flat spring	Ressort-lame
9	19689	O-Ring 20,0 x1,8	O-Ring 20,0x1,8	Joint torique 20,0x1,8
10	42807	Düsenkörper	Nozzle housing	Carter de buse
11	42808	Schutzrohr	Protective tube	Tube de protection
12	42810	Rohr	Tube	Tube
13	42811	Sprengring	Circlip	Circlip
14	41993	Überwurfmutter	Cap nut	Ecrou
15	42813	Nippel	Connecting Piece	Raccord
16	54592	HD-Düse D1,30 M4 VA 4500 drive	HP-Nozzle 1,30	Buse HP 1,30
	48934	HD-Düse 1,20 4100 drive *CA*	HP-Nozzle 1,20	Buse HP 1,20
	44602	HD-Düse D1,25 M4 VA 4700 drive	HP-Nozzle 1,25	Buse HP 1,25
	42806	HD-Düse D1,40 M4 VA 4100 drive *CH*	HP-Nozzle 1,40	Buse HP 1,40