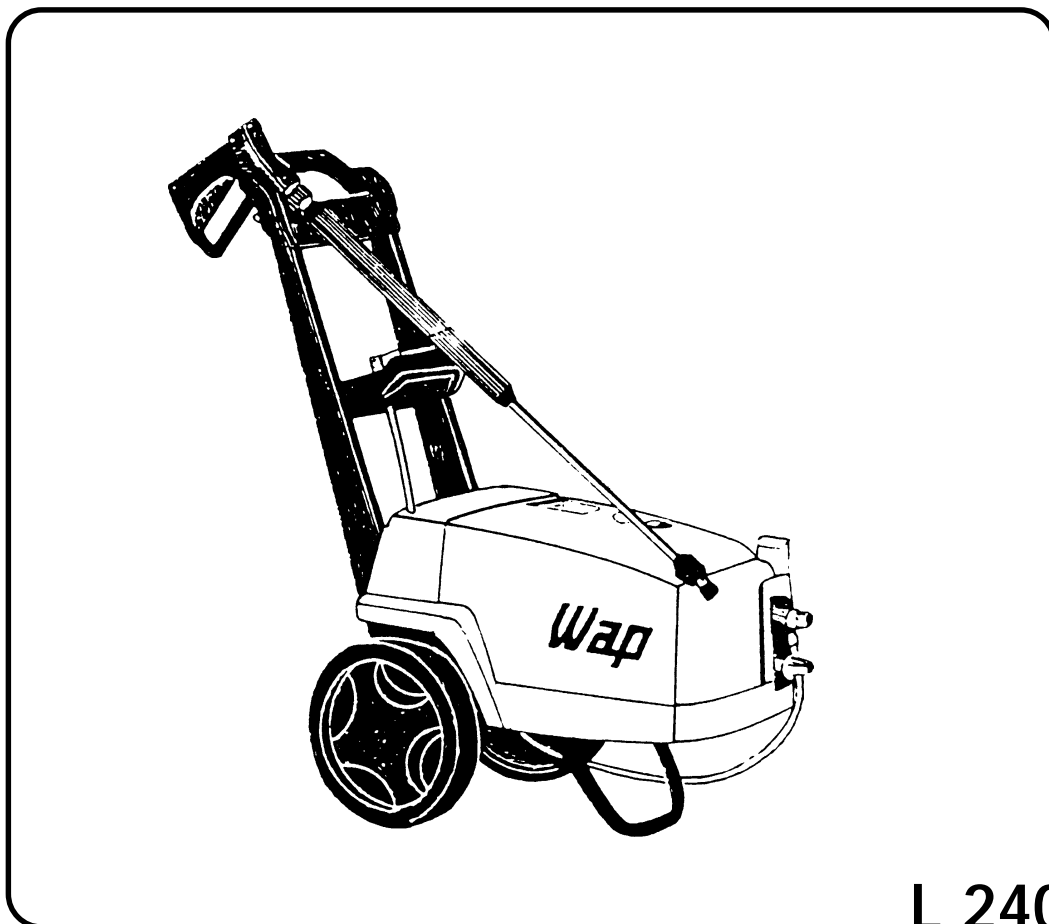
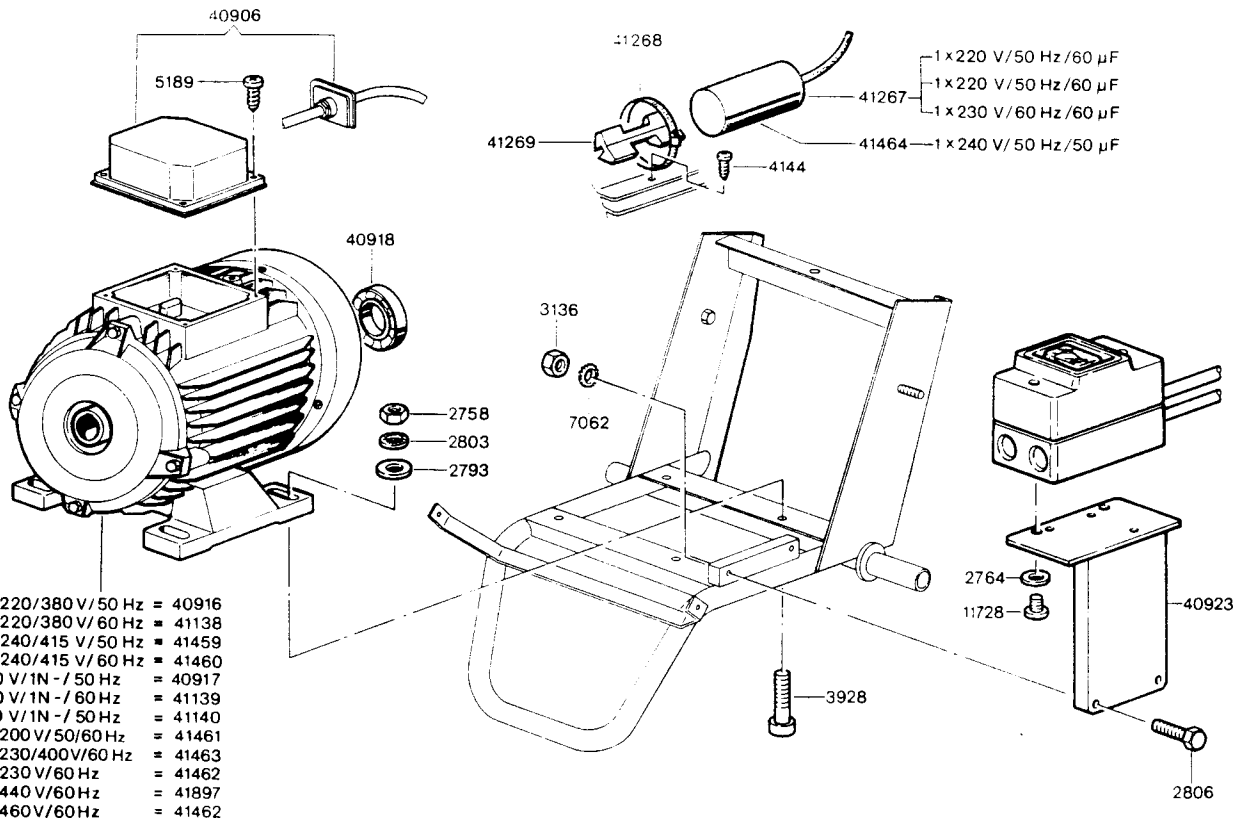
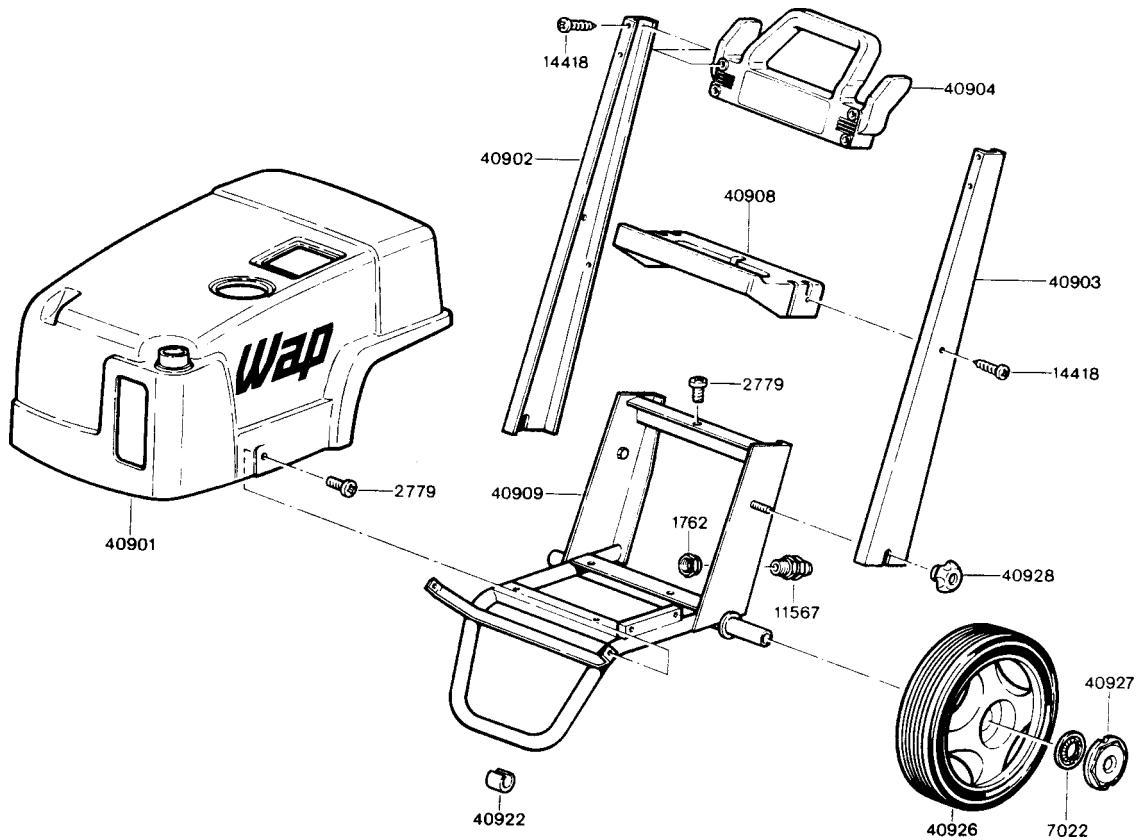




Ersatzteilliste  
Spare Parts List  
Pièces détachées



L 2400

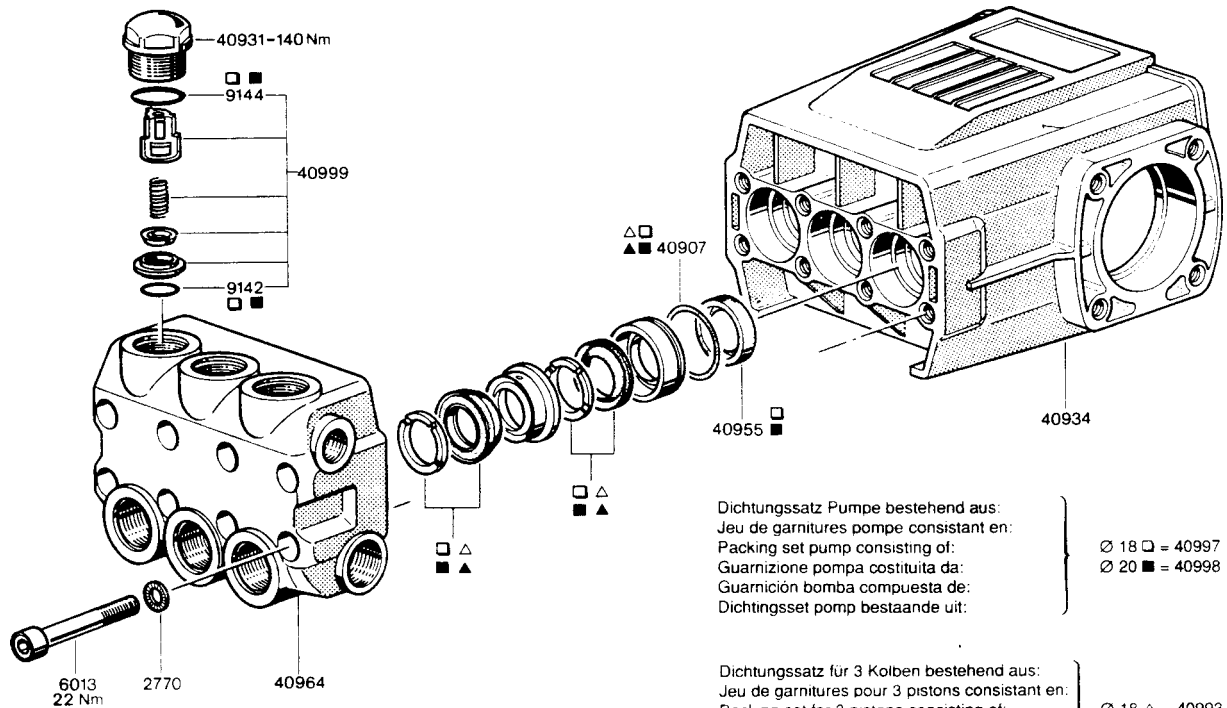
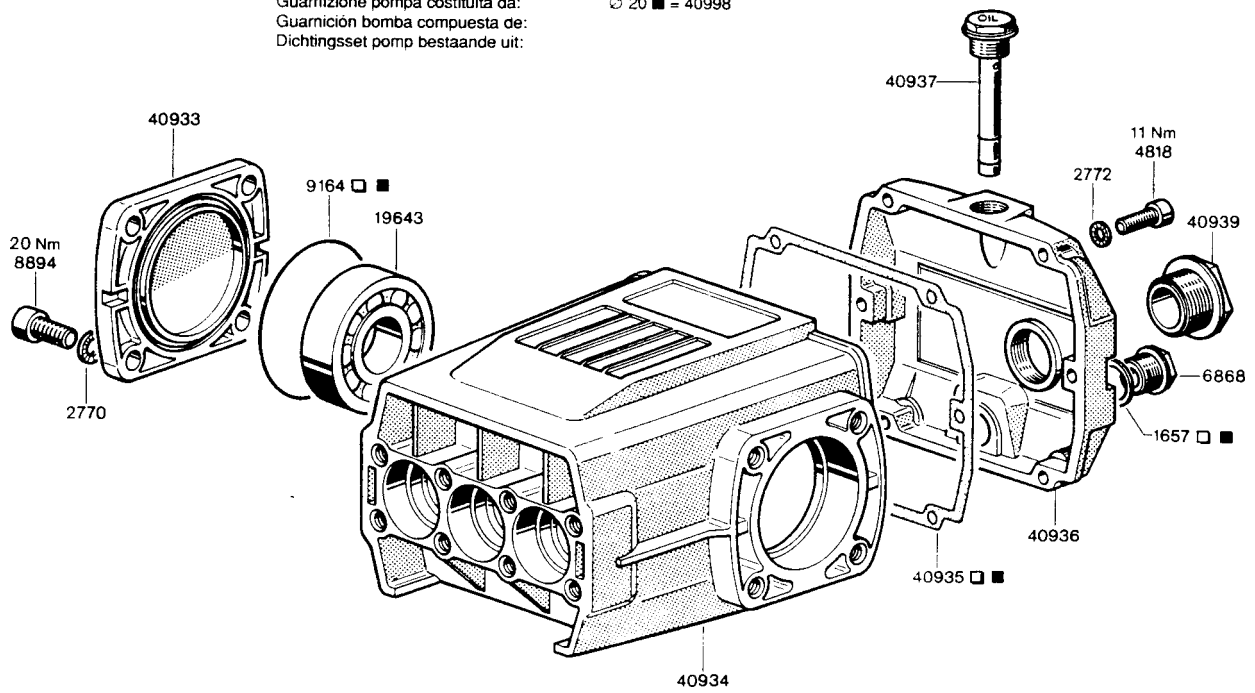


- 3 x 220/380 V / 50 Hz = 40916
- 3 x 220/380 V / 60 Hz = 41138
- 3 x 240/415 V / 50 Hz = 41459
- 3 x 240/415 V / 60 Hz = 41460
- 220 V / 1N - / 50 Hz = 40917
- 230 V / 1N - / 60 Hz = 41139
- 240 V / 1N - / 50 Hz = 41140
- 3 x 200 V / 50 / 60 Hz = 41461
- 3 x 230 / 400 V / 60 Hz = 41463
- 3 x 230 V / 60 Hz = 41462
- 3 x 440 V / 60 Hz = 41897
- 3 x 460 V / 60 Hz = 41462

- 1 x 220 V / 50 Hz / 60 μF
- 1 x 220 V / 50 Hz / 60 μF
- 1 x 230 V / 60 Hz / 60 μF
- 1 x 240 V / 50 Hz / 50 μF

Dichtungssatz Pumpe bestehend aus:  
 Jeu de garnitures pompe consistant en:  
 Packing set pump consisting of:  
 Guarnizione pompa costituita da:  
 Guarnición bomba compuesta de:  
 Dichtingsset pomp bestaande uit:

∅ 18 ◻ = 40997  
 ∅ 20 ◼ = 40998



Dichtungssatz Pumpe bestehend aus:  
 Jeu de garnitures pompe consistant en:  
 Packing set pump consisting of:  
 Guarnizione pompa costituita da:  
 Guarnición bomba compuesta de:  
 Dichtingsset pomp bestaande uit:

∅ 18 ◻ = 40997  
 ∅ 20 ◼ = 40998

Dichtungssatz für 3 Kolben bestehend aus:  
 Jeu de garnitures pour 3 pistons consistant en:  
 Packing set for 3 pistons consisting of:  
 Guarnizione per 3 pistoni costituita da:  
 Guarnición para 3 émbolos compuesta de:  
 Dichtingsset voor 3 pluniers bestaande uit:

∅ 18 ◻ = 40993  
 ∅ 20 ◼ = 40994

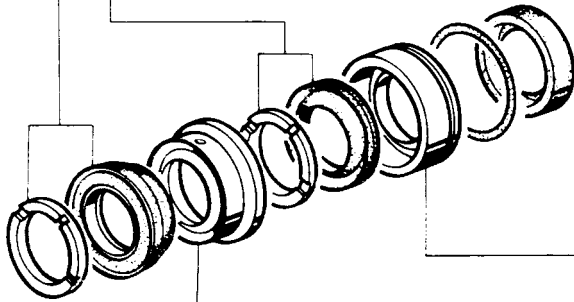
	▲	□	△
	Ø 20	Ø 18	
	41456	41457	
3 x 220/380 V/50 Hz	●	●	
3 x 220/380 V/60 Hz	●	●	
3 x 240/415 V/50 Hz	●	●	
3 x 240/415 V/60 Hz	●	●	
220 V/1N - / 50 Hz	●	●	
230 V/1N - / 60 Hz	●	●	
240 V/1N - / 50 Hz	●	●	
3 x 200V/50/60 Hz	●	●	
3 x 230/400V/60 Hz	●	●	
3 x 230 V/60 Hz	●	●	
3 x 440 V/60 Hz	●	●	
3 x 460V/60Hz	●	●	

Dichtungssatz Pumpe bestehend aus:  
 Jeu de garnitures pompe consistant en:  
 Packing set pump consisting of:  
 Guarnizione pompa costituita da:  
 Guarnición bomba compuesta de:  
 Dichtingsset pomp bestaande uit:

Ø 18 □ = 40997  
 Ø 20 ■ = 40998

Dichtungssatz für 3 Kolben bestehend aus:  
 Jeu de garnitures pour 3 pistons consistant en:  
 Packing set for 3 pistons consisting of:  
 Guarnizione per 3 pistoni costituita da:  
 Guarnición para 3 émbolos compuesta de:  
 Dichtingsset voor 3 plunjers bestaande uit:

Ø 18 △ = 40993  
 Ø 20 ▲ = 40994



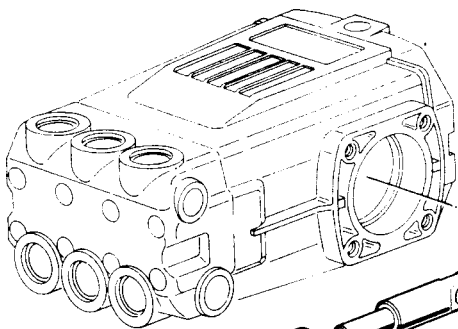
	Ø 20	Ø 18
	40962	40963
3 x 220/380 V/50 Hz	●	●
3 x 220/380 V/60 Hz	●	●
3 x 240/415 V/50 Hz	●	●
3 x 240/415 V/60 Hz	●	●
220 V/1N - / 50 Hz	●	●
230 V/1N - / 60 Hz	●	●
240 V/1N - / 50 Hz	●	●
3 x 200V/50/60 Hz	●	●
3 x 230/400V/60 Hz	●	●
3 x 230 V/60 Hz	●	●
3 x 440 V/60 Hz	●	●
3 x 460V/60Hz	●	●

	Ø 20	Ø 18
	40960	40961
3 x 220/380 V/50 Hz	●	●
3 x 220/380 V/60 Hz	●	●
3 x 240/415 V/50 Hz	●	●
3 x 240/415 V/60 Hz	●	●
220 V/1N - / 50 Hz	●	●
230 V/1N - / 60 Hz	●	●
240 V/1N - / 50 Hz	●	●
3 x 200V/50/60 Hz	●	●
3 x 230/400V/60 Hz	●	●
3 x 230 V/60 Hz	●	●
3 x 440 V/60 Hz	●	●
3 x 460V/60Hz	●	●

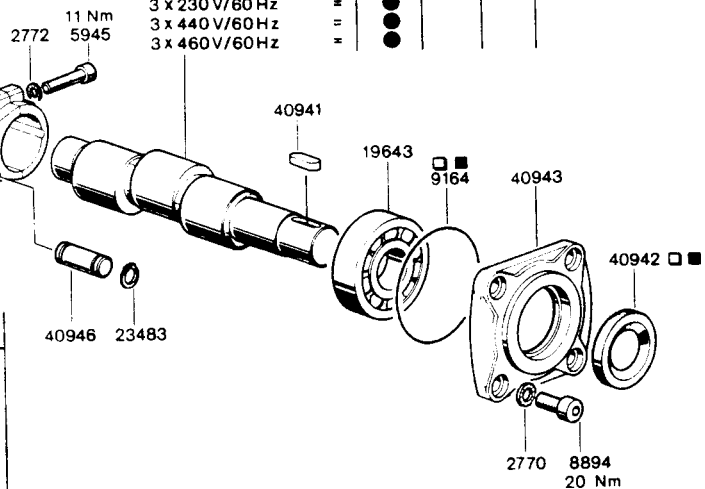
Dichtungssatz Pumpe bestehend aus:  
 Jeu de garnitures pompe consistant en:  
 Packing set pump consisting of:  
 Guarnizione pompa costituita da:  
 Guarnición bomba compuesta de:  
 Dichtingsset pomp bestaande uit:

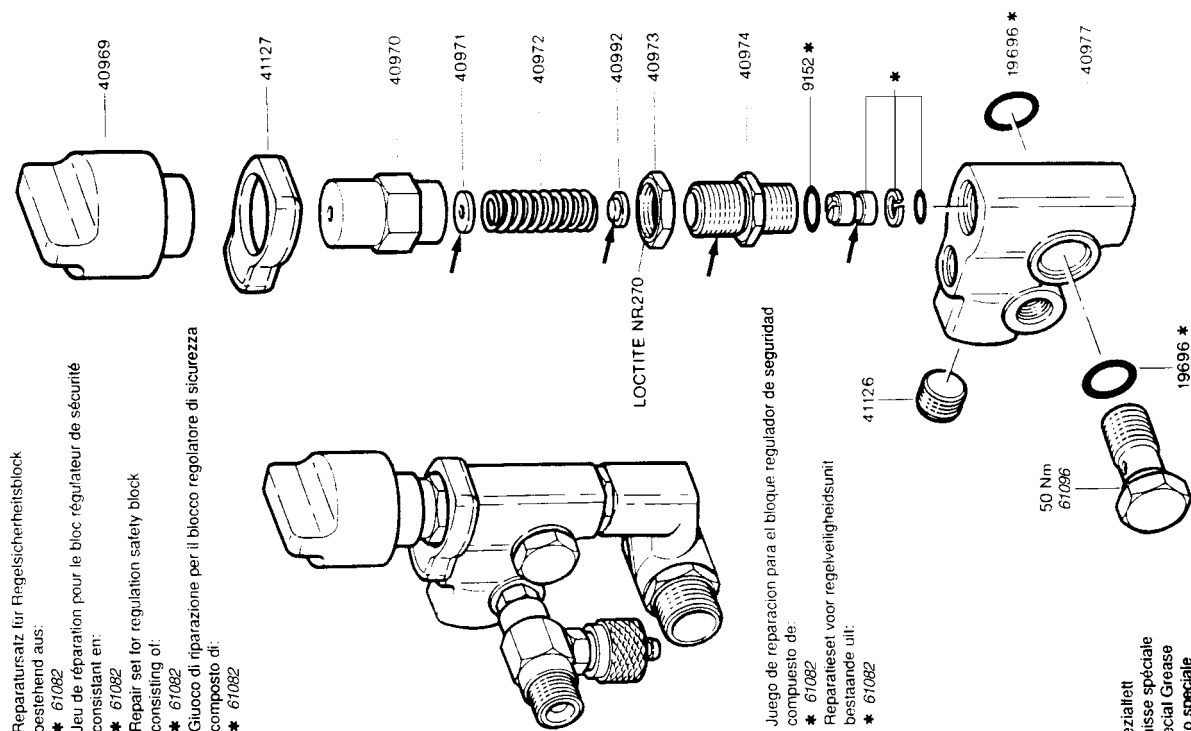
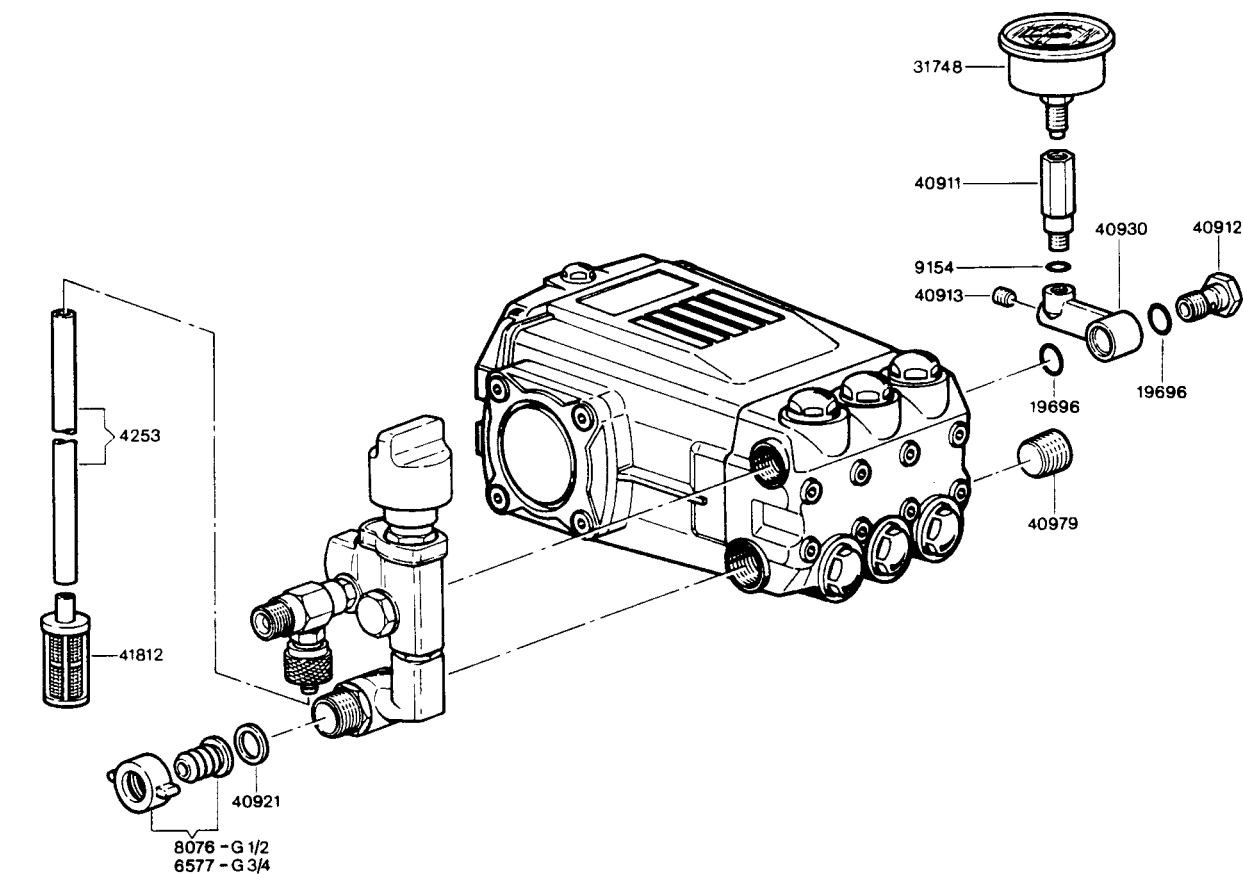
Ø 18 □ = 40997  
 Ø 20 ■ = 40998

	40944	40945	41178
3 x 220/380 V/50 Hz	●		
3 x 220/380 V/60 Hz	●		
3 x 240/415 V/50 Hz	●		
3 x 240/415 V/60 Hz	●		
220 V/1N - / 50 Hz	●		
230 V/1N - / 60 Hz	●	●	
240 V/1N - / 50 Hz	●		●
3 x 200V/50/60 Hz	●		
3 x 230/400V/60 Hz	●		
3 x 230 V/60 Hz	●		
3 x 440 V/60 Hz	●		
3 x 460V/60Hz	●		



	Ø 20	Ø 18
	40950	40951
3 x 220/380 V/50 Hz	●	●
3 x 220/380 V/60 Hz	●	●
3 x 240/415 V/50 Hz	●	●
3 x 240/415 V/60 Hz	●	●
220 V/1N - / 50 Hz	●	●
230 V/1N - / 60 Hz	●	●
240 V/1N - / 50 Hz	●	●
3 x 200V/50/60 Hz	●	●
3 x 230/400V/60 Hz	●	●
3 x 230 V/60 Hz	●	●
3 x 440 V/60 Hz	●	●
3 x 460V/60Hz	●	●





Reparatursatz für Regelsicherheitsblock

bestehend aus:

\* 67082  
Jeu de réparation pour le bloc régulateur de sécurité

consistant en:

\* 67082  
Repair set for regulation safety block

consisting of:

\* 67082  
Gioco di riparazione per il blocco regolatore di sicurezza

composto di:

\* 67082

Juego de reparación para el bloque regulador de seguridad  
compuesto de:

\* 67082

Reparatieset voor regelveiligheidsunit

bestaande uit:

\* 67082

Spezialfett  
Graisse spéciale  
Special Grease  
Umo speciale  
Grasa especial  
Speciaal Vet  
↓ 41455 50g

